

1937-40 Coupes, Sedans, Cabriolet Door, Window, Deck Lid, and Interior

Door Handle: 1937 Passenger

Handles, Die cast, Chrome Plated

78-702350 not.avbl

Rubber Pads

48-702356 5.00 pr

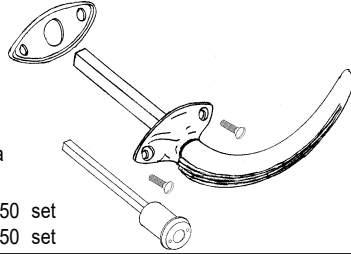
Lock Cylinder, w/flipper over keyhole

48-702302 45.00 ea

Screws, stainless, set of 4

B-46212-MS Pass 2.50 set

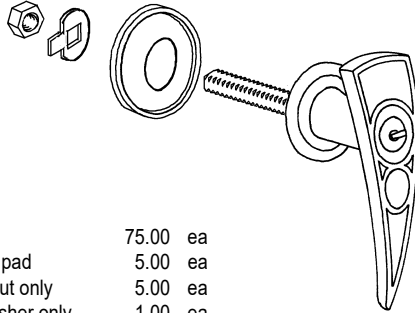
B-46212-WS Stn Wgn 2.50 set



Deck Lid Handle

1937 Passenger

Locking, w/keys, mount outside lid. Die Cast, chrome plated. Will fit 1928-37.



78-702352 Handle 75.00 ea

B-41648 Rubber pad 5.00 ea

A-41606-S Acorn nut only 5.00 ea

A-41606-LW Lockwasher only 1.00 ea

Door Handle:

1938 Standard

1938-47 Pickup

Handles, Die cast, Chrome Plated

81A-702350-A 45.00 ea

Rubber Pads

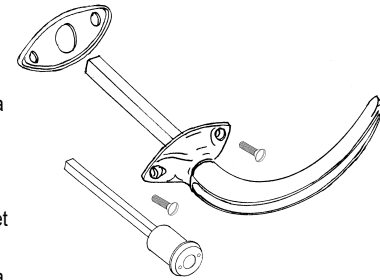
48-702356 5.00 pr

Mount screws, stainless 3/4" set of 4

B-46212-MS 2.50 set

Lock Cylinder, w/flipper over keyhole

48-702302 45.00 ea



Door Handle:

1938 Deluxe

Handles, Die cast, Chrome Plated

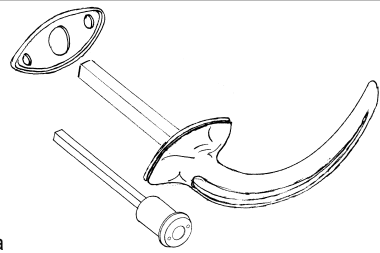
81A-702350-B not.avbl

Rubber Pads

91A-702356 5.00 pr

Lock Cylinder, w/flipper over keyhole

48-702302 45.00 ea



Door Handle: 1939 Passenger

91A-702350 Handles, die cast, chrome 50.00 ea

91A-702356 Rubber pads 5.00 pr

48-702302 Lock cylinder, flipper style 45.00 ea

Deck Handle Parts: 1938-39

81A-13573 1938-39 Deck handle to base seal 2.00 ea

81A-13568 1938-39 License lens gasket 1.50 ea

81A-13567 Deck handle base extension nuts 10.00 ea

81A-13572 1938-39 Ford Deck Handle Pad, rubber 15.00 ea

Door Handle: 1940 Passenger

01A-702350 Handles, die cast, chrome, Coupe & Sedan 32.50 ea

01A-702350-A Handles, die cast, chrome, Convertible 50.00 ea

01A-702356-A Rubber pads, Coupe & Sedan 7.50 pr

01A-702356-B Rubber pads, Convertible 5.00 pr

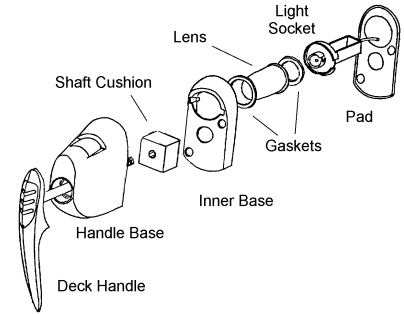
48-702302 Lock cylinder, flipper style 45.00 ea

Deck Lid Handle:

1939 Mercury

1940 Ford

Note: Part numbers with 99A- prefix fit both 1939 Mercury and 1940 Ford. Part numbers with 01A- prefix only fit 1940 Ford.



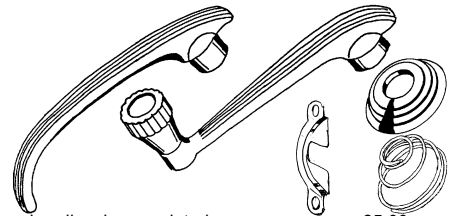
01A-7043500	Deck handle only	55.00 ea
99A-13553	Deck handle outer base only	27.50 ea
99A-13556-S	Deck handle inner base only	15.00 set
99A-13556-SK	License light socket/lens/gasket ki	22.50 ea
01A-13557	Handle shaft to inner base seal/ cushion	3.00 ea
01A-13567	Handle base mount extension nut	10.00 ea
99A-13553-HK	Handle base stud kit	5.00 ea
99A-13572	Deck Handle Pad, rubber	5.00 ea
B-41606-S	Deck handle nut and lockwasher	3.00 ea
99A-13564	Deck light lens (included in 99A-13556-SK)	7.50 ea
99A-13568/9	Lens gaskets (included in 99A-13556-SK)	2.00 ea
01A-43370	Deck lid "Ford V 8" emblem	17.50 ea
01A-7043370-RP	Deck lid emblem rubber pad	7.50 ea

Deck Handle Parts: 1940 Mercury

09A-13572 1940 Mercury Deck Handle Pad, rubber 35.00 ea

1937 Passenger

Handles available chrome plated or plastic dipped. Escutcheons available chrome plated or molded plastic.

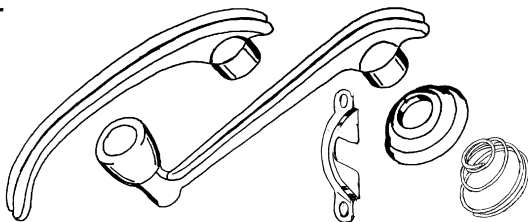


78-702400-S	Inside door handle, chrome plated	25.00 ea
78-702400-B	Inside door handle, bronze	27.50 ea
78-702780-S	Window handle, chrome plated	30.00 ea
78-702780-A	Window handle, chrome w/brown knob	25.00 ea
78-702780-B	Window handle, bronze w/yellow-brown knob	25.00 ea
A-46250-P	Handle to shaft pin	0.25 ea
78-48139-C	Escutcheon, chrome plated	7.50 ea
78-48139-PL	Escutcheon, plastic, light brown	7.50 ea
78-48139-PY	Escutcheon, plastic, yellow-brown	7.50 ea
B-48284	Escutcheon spring (under upholstery)	0.50 ea
78-7622012-S	Convertibles only: Door latch striker escutcheon	65.00 pr

* Parts with price listed as "not.avbl" are not known to be available at this time, but are listed for reference.

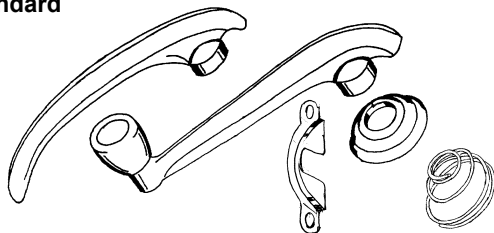
1937-40 Coupes, Sedans, Cabriolet Door, Window, Deck Lid, and Interior, cont

1938 Passenger



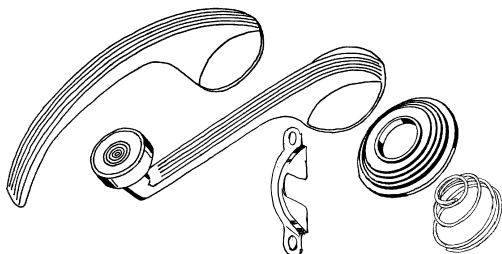
81A-702400-S	Inside door handle, chrome plated	20.00	ea
81A-702400-B	Inside door handle, dark brown	20.00	ea
81A-702780-S	Window handle, chrome plated	22.50	ea
81A-702780-A	Window handle, chrome w/ivory knob	30.00	ea
81A-702780-B	Window handle, dark brown w/ivory knob	35.00	ea
A-46250-P	Handle to shaft pin	0.25	ea
81A-48139-C	Escutcheon, chrome	7.50	ea
81A-48139-PI	Escutcheon, Plastic, ivory	7.50	ea
B-48284	Escutcheon spring (under upholstery)	0.50	ea
78-7622012-S	Convertibles only: Door latch striker escutcheon	65.00	pr

1939 Deluxe & Standard 1940 Standard



91A-702400-S	Inside door handle, chrome	17.50	ea
91A-702400-B	Inside door handle, dark brown (39 Dix)	32.50	ea
91A-702780-S	Window handle, all chrome plated	25.00	ea
91A-702780-A	Window handle, chrome w/yellow knob, 39Std	30.00	ea
91A-702780-B	Window handle, dk brown w/yellow knob, 39Dlx	30.00	ea
01A-702780-A	Window handle, chrome w/sand knob, 40Std	not.avbl	
A-46250-P	Handle to shaft pin	0.25	ea
81A-48139-C	Escutcheon, chrome	7.50	ea
91A-48139-PY	Escutcheon, plastic, yellow-brown, 1939	7.50	ea
01A-48139-PS	Escutcheon, plastic, sand, 1940 Std	7.50	ea
B-48284	Escutcheon spring (under upholstery)	0.50	ea
78-7622012-S	Convertibles only: Door latch striker escutcheon	65.00	pr

1940 Deluxe



01A-702400-S	Inside door handle, chrome plated	12.50	ea
01A-702400-B	Inside door handle, bronze	27.50	ea
01A-702780-S	Window handle, all chrome plated	12.50	ea
01A-702780-B	Window handle, bronze w/sand knob	45.00	ea
A-46250-P	Handle to shaft pin	0.25	ea
01A-48139-PD	Deluxe escutcheon, plastic, sand	7.50	ea
01A-7022618-D	Deluxe escutcheon, stainless steel	7.50	ea
B-48284	Escutcheon spring (under upholstery)	0.50	ea
78-7622012-S	Convertibles only: Door latch striker escutcheon	65.00	pr

1939-40 Mercury Door and Window Escutchions, Plastic

99A-48139-PP	1939 Mercury, pink	7.50	ea
09A-48139-PB	1940 Mercury, dark blue	7.50	ea

Arm Rest Formers

A-56665-PR	Front door, 1932-48 Passenger	95.00	pr
------------	-------------------------------	-------	----

1937-38 Garnish Molding Plastic Inserts

78-7020988-A	1937 Standard, light brown	25.00	pr
78-7020988-B	1937 Deluxe, yellow brown	25.00	pr
81A-7020988-6	1938 Deluxe Coupe & Fordor	25.00	pr
81A-7020988-8	1938 Deluxe Tudor & Club coupe	25.00	pr

Door Interior Upholstery Former Panels

These are the light weight stamped steel panels used on 1935-40 Coupes and Sedans and are covered with upholstery and snap to the inside of the doors around the window.

91A-7323810/11B	1937-40 Standard Coupe, Fordor front	not.avbl
-----------------	--------------------------------------	----------

1939-40 Convertible Door Window Garnish Molding

Will also fit 1937-38 but detail is different.



CG39CNV	Fiberglass, fits RH or LH	200.00	ea
---------	---------------------------	--------	----

Cabriolet and Convertible Window Parts

Top of door:

B-782144	1935 Glass to body & garnish bumper (5")	7.50	ea
48-45983-CA	Late 1935-39 Door window felt (at top of door)	125.00	set
01A-45983-C	1940 Door window felt (at top of door)	100.00	ea
48-762232	1935-48 Glass to window frame setting channel	10.00	ea

Window Glass Frame Roller Rebuild Kit

1932-38 style used 12 small rollers, 1936-1940 style used 4 large rollers.

B-7622218	1932-38	not.avbl	
01A-6622218	1936-40 for one window. roller, axle, and pins	100.00	set

Convertible Front Door Vent Window Parts

99A-7621448-S	Rubber seals, 1939-40 Mercury Convertible	175.00	pr
01A-6621448-S	Rubber seals, 1940 Ford Convertible	100.00	pr
01A-7022296-A	Rubber seal strip to window frame, 1940	25.00	pr
01A-7022916/7	Handle, w/center button, chrome	70.00	pr
01A-7022938	Handle pivot shaft and bracket	20.00	ea

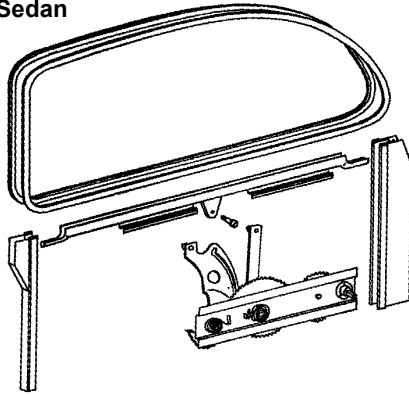
* Parts with price listed as "not.avbl" are not known to be available at this time, but are listed for reference.

1937-40 Coupes, Sedans, Cabriolet Door, Window, Deck Lid, and Interior, cont

Typical 1937-39 Coupe & Sedan Window Parts

1937-39 Roll-Up Window Felt Kits

Kits includes lower felt channels with clips attached, pre-bent upper window single sided felt, and installation clips & screws for 2 windows. Regulator and glass retaining channels not included.



78-45983-2D	1937-39 Tudor & 5-Pass coupe door windows	165.00	ea
78-45983-4D	1937-39 Coupe & Fordor front door windows	165.00	ea
78-56791	1937-38 Fordor rear door windows	165.00	ea
91A-56791	1939-40 Fordor rear door windows	165.00	ea
78-56786	1937 Tudor quarter windows	165.00	ea
81A-56786	1938-40 Tudor quarter windows	165.00	ea

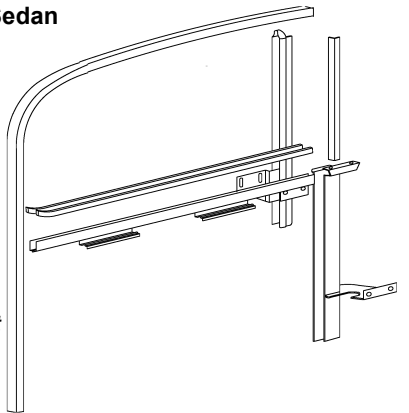
Window Glass Retaining Channels

78-702170-A	Door, RH: Tudor & Club cpe	60.00	ea
78-702171-A	Door, LH: Tudor & Club cpe	60.00	ea
78-702170-B	Door, RH: Coupe & Fordor	60.00	ea
78-702171-B	Door, LH: Coupe & Fordor	60.00	ea
78-56789	Door, RH/LH rear: 1937-40 Fordor	not.avbl	
40-702170	Quarter: RH: 1934-40 Tudor	60.00	ea
40-702171	Quarter: LH: 1934-40 Tudor	60.00	ea
48-45962-STUD	Roller and stud for window channels	20.00	pr

Typical 1940 Coupe and Sedan Window Parts

1940 Roll-Up Window Felt Kits

Kits include felt U channels and lower felted channels with clips attached and single sided felt with original type installation clips and screws for 2 windows. Passenger front door kits do not include felt strip for front stainless frame strip.



01A-45983-2D	1940 Tudor sedan door windows	165.00	ea
01A-45983-4D	1940 Coupe & Fordor front door windows	165.00	ea
01A-7022296	1940 Vent to Window fuzz strip (not in kit)	25.00	pr
81A-56786	1938-40 Tudor quarter windows	165.00	ea
91A-56791	1939-40 Fordor rear door windows	165.00	ea

Window Regulators

01A-7323200/1	1940 Coupe, Fordor front	not.avbl
01A-7023200/1	1940 Tudor (front)	210.00

Glass Channels

	RH		LH			
Door: Tudor Sedan	01A-702170-A	50.00	ea	01A-702171-A	50.00	ea
Front Door: Coupe/4D	01A-702170-B	50.00	ea	01A-702171-B	50.00	ea
Rear Door: Fordor	78-56789	not.avbl		78-56789	not.avbl	
Quarter: Tudor	40-702170	60.00	ea	40-702171	60.00	ea

Window Glass to Frame Setting Tape

B-37193-A	all years, 20 ft, 1/32" thick	17.50	ea
B-37193-B	all years, 20 ft, 3/64" thick	17.50	ea
B-37193-C	all years, 20 ft, 1/16" thick	25.00	ea
B-37193-D	all years, 20 ft, 5/64" thick	30.00	ea

Coupe & Sedan Front Door Vent Window Parts

99A-7021448-S	Rubber seals, 1939-40 Mercury Coupe/Sedan	175.00	pr
01A-7021448-S	Rubber seals, 1940 Ford Coupe & Sedan	120.00	pr
01A-7022296	Fuzz seal strip to window frame, 1940	25.00	pr
01A-7022916/7	Handle, w/center button, chrome	70.00	pr
01A-7022938	Handle pivot shaft and bracket	20.00	ea

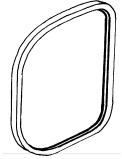
Quarter Window Rubber Seals

Fixed window:

78-704220-S	5 Window Coupe, seamed 1pc	20.00	pr
78-735130	Fordor, fixed style, length	not.avbl	

Pop-out style: Fordor Sedan

78-7329904-PR	1937	175.00	pr
81A-7329904-PR	1938-40	130.00	pr



Fordor Sedan Popout Quarter Window Handles and Pivot

78-735280	Window handle, chrome, RH	22.50	ea
78-735281	Window handle, chrome, LH	22.50	ea
01A-7022938	Window handle pivot shaft & bkt	20.00	ea

Coupe & Sedan Back Window Seals (Ford & Mercury)

1937-1940 Coupe, 1937 Sedan, 1938 Std Sedan

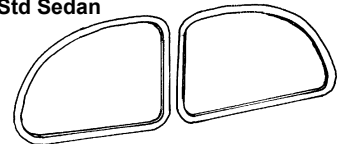
78-704220	25.00	pr
-----------	-------	----

1938 Deluxe Sedan, 1939-40 Sedan

81A-704220	25.00	pr
------------	-------	----

1940-41 Sedan Delivery

01A-704220-SD	40.00	ea
---------------	-------	----



Station Wagon Back Window Frame

Stamped Steel, with hinge

78-796150	1937-39 Station Wagon	not.avbl
-----------	-----------------------	----------

Door Hinges: 1935-40 Coupe, Sedan, Roadster, Phaeton & Convertible

Investment cast steel. Hinge pin holes are drilled. Mount holes are not drilled. Cut to length.

Hinge Straps:

Front door upper (Body)	78-702452-C	75.00	ea
-------------------------	-------------	-------	----

Front door upper (Door)	78-702452-D	75.00	ea
-------------------------	-------------	-------	----

Front door lower (Body)	78-702454-C	75.00	ea
-------------------------	-------------	-------	----

Rear door (35-36 phaeton) upper and lower	78-702454-C	75.00	ea
---	-------------	-------	----

Front door lower (Door)	78-702454-D	75.00	ea
-------------------------	-------------	-------	----

Rear door (35-36 phaeton) upper and lower	78-702454-D	75.00	ea
---	-------------	-------	----

Front door lower (Door)	78-702454-D	75.00	ea
-------------------------	-------------	-------	----

Rear door (35-36 phaeton) upper and lower	78-702454-D	75.00	ea
---	-------------	-------	----

Rear door (35-36 phaeton) upper and lower	78-702454-D	75.00	ea
---	-------------	-------	----

Rear door (35-36 phaeton) upper and lower	78-702454-D	75.00	ea
---	-------------	-------	----

Hinge Pins

B-46335	Plain	2.50	ea
---------	-------	------	----

B-46335-SS	Stainless	5.00	ea
------------	-----------	------	----

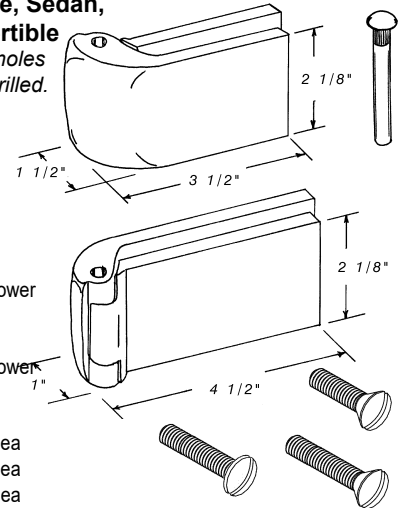
B-46335-XS	SS Xlong	5.00	ea
------------	----------	------	----

Mounting Screws

48-35600-MS	1935-36 Passenger, 5/16 x 1 1/4, set of 3	7.50	set
-------------	---	------	-----

78-35600-MS	1937-40 Coupe & Sedan, 5/16 x 1, set of 3	5.00	set
-------------	---	------	-----

78-35600-MC	1937-40 Convertible, 5/16 x 1 3/4	5.00	set
-------------	-----------------------------------	------	-----



* Parts with price listed as "not.avbl" are not known to be available at this time, but are listed for reference.

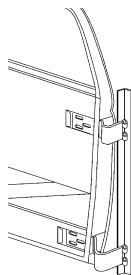
1937-40 Coupes, Sedans, Cabriolet Door, Window, Deck Lid, and Interior, cont

Hidden Door Hinges

1935 Passenger, 1939 Deluxe & 1940 Passenger

Note: These hinges will not work with 1936-38 & 1939 Standard, the door hits the back of the front fender.

Kit includes hinges, hinge boxes, mount plates, and instructions. The lower hinge box protrudes little into the passenger compartment. This is a difficult weld in installation and requires competent body welding and body work skills



48-35600-HH 750.00 set

Door Check Arms: 1935-48 Coupe, Sedan, Convertible

Check arms w/bumpers:

4-1/2" long replacement style

48-702828-S	Plain	5.00	pr
81A-702828-SS	Stainless	20.00	ea



Check arm mount brackets to cowl/door

A-702828-BKT	Plain	12.50	pr
--------------	-------	-------	----

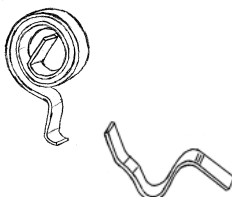
Door Latch: 1937-40 Coupe and Sedan

Door Latch:

01A-7021812/3	Latches: RH & LH, 1940 (will work 1937-39)	not.avbl
---------------	--	----------

Latch Repair Springs

68-702267	1935-36 7/8" dia	7.50	ea
78-702267	1936-37 1-1/8" dia	5.00	ea
81A-702267	1938-40 small	7.50	ea
81A-702267-A	1938-40 large	7.50	ea



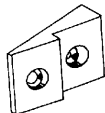
Inside Handle Mount

81A-732412/3-NA	Mount w/o link	50.00	pr
B-702268	Inside handle spring	5.00	ea

Striker Plate:

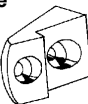
1937-39 5W Coupe & Fordor sedan:

B-46137-A	Striker, Plain	15.00	ea
40-702340-SS	Striker, Stainless	17.50	ea
48-702336-A	Nut plate for striker	17.50	pr



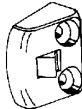
1937-39 Tudor sedan, 3 Window Coupe, Club Coupe

48-46137	Plain	10.00	ea
81A-702340-SS	Stainless	17.50	ea
48-702336-B	Nut plate for striker	17.50	pr
78-7022026	Pad for striker	5.00	pr



1939-40 Mercury & 1940 Ford Coupe and Sedan

01A-7022008	Striker, plain	25.00	ea
01A-7022008-C	Striker, chrome	10.00	ea
01A-7022026	Latch striker pad,	5.00	pr



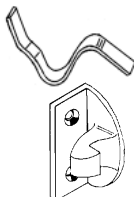
Door Latch: 1937-40 Convertible & Convertible Sedan

Door latch

01A-6621800/1	1940, will work on 1935-39	275.00	pr
---------------	----------------------------	--------	----

Inside Handle Mount

81A-732412/3-NA	Mount w/o link	50.00	pr
B-702268	Inside handle spring	5.00	ea



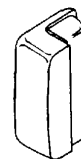
Striker

48-742330-SS	1935-39	55.00	pr
91A-7622010	1940	not.avbl	
01A-702610-S	Striker bumpers , 1940	10.00	set

Door Bumpers

1937-39 Passenger:

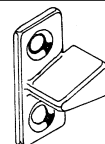
78-46440	1.50	ea
----------	------	----



Door Dovetails: 1935-40 Coupe, Sedan, Convertible

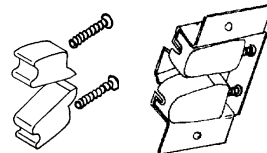
Dovetail:

48-702550-A	Dovetail, stainless	15.00	ea
40-702550-S	Mounting screws	2.00	set



Dovetail Socket:

Note: Dovetail socket housing is welded into door jamb. 1937-38 Used two socket types, Type 1 uses metal wedges, Type 2 uses plastic wedges.



48-702574-RK	1935-40 socket repair kit (metal jaw type 1)	15.00	ea
78-702570-S	Dovetail socket assy, weld in, plastic jaw type 2	20.00	pr
B-702574-RK	Dovetail socket repair kit, 1939 Mercury sedan	7.50	ea

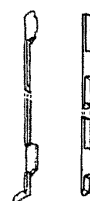
Door weather seals 1937-40 Passenger Doors

lacing was the only seal at the back of doors. A sponge rubber seal was glued to the door to seal to the front door jamb. Coupes and sedans use a rubber seal that glues to the top of the door. 1937 used a rubber seal strip was attached under the upholstery at to bottom of door. 1938-39 and 1940 lower seal was mounted into the sill plate (and included with repro plates.)

Upper seal Ford



Mercury



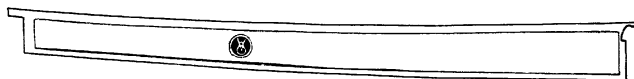
door front

1937 Lower



78-711884-S	Door jamb seal, Convertible	30.00	pr
78-701884-S	Door jamb seal, 1937 Coupe & Sedan	30.00	pr
81A-701884-S	Door jamb seal, 1938-40 Coupe & Sedan	37.50	pr
78-7043724-AS	Upper seal kit, Ford, for two doors	10.00	pr
99A-7043724-C	Upper seal kit, Mercury, coupe	50.00	set
78-701980	Lower seal strip, 1937 Pass (use 1 per door)	10.00	ea
81A-701980	Lower seal strip, 1938-39 Pass (use 1 per door)	7.50	ea
01A-701980	Lower seal strip, 1940 Pass (use 1 per door)	7.50	ea

1937 Door Sill Plates



78-7013250-S	Club coupe & Tudor sedan	325.00	pr
78-7113250-S	Convertible & Roadster	not.avbl	
78-7313250-S	Coupe, Fordor & Sedan delivery & front doors	325.00	pr
78-7313262-S	Fordor rear doors	not.avbl	
78-7413250-S	Convertible Sedan & Phaeton front doors	300.00	pr
78-7413262-S	Convertible Sedan & Phaeton rear doors	300.00	pr

* Parts with price listed as "not.avbl" are not known to be available at this time, but are listed for reference.

1937-40 Coupes, Sedans, Cabriolet Door, Window, Deck Lid, and Interior, cont

1938-39 Door Sill Plates

Includes rubber lower door seals.

81A-7013250-S	Club coupe, Tudor & Convertible	140.00 pr
81A-7713250-S	Coupe, Sedan delivery & Fordor front	140.00 pr
81A-7313262-S	Fordor rear doors	not.avbl
81A-7413250-S	Convertible Sedan & Phaeton front doors	150.00 pr
81A-7413262-S	Convertible Sedan & Phaeton rear doors	150.00 pr
99A-7013250/51	1939 Mercury coupe, Tudor & Conv	175.00 pr

1940 Door Sill Plates

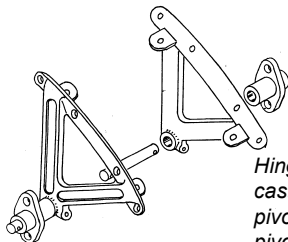
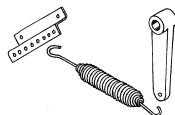
Includes rubber lower door seals.

01A-7013250-S	Tudor sedan & Convertible	120.00 pr
01A-7713250-S	Coupe, Sedan delivery & Fordor front doors	120.00 pr
01A-7313262-S	Fordor rear doors	120.00 pr
09A-7013250-S	Mercury tudor sedan & Convertible	150.00 pr

Rumble Lid Hardware: 1935-39

Hinge Kit: 1937-38

78-713570-S	not.avbl
Hinge Kit: 1939 Convertible	
<i>Aluminum castings, USA</i>	
91A-713570-S	400.00 set



Hinge Kits Include cast hinges, cast pivot brackets, and pivot rod.

Hinge Mounting Reinforcing on Body

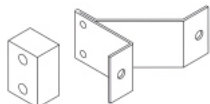
B-526898-S	Use when converting from trunk lid	15.00 pr
------------	------------------------------------	----------

Counter balance spring and bracket:

B-526812	1938-39 Counter balance spring bracket	10.00 pr
B-526813	1938-39 Counter balance spring	15.00 pr
B-526814	1938-39 Counter balance arm, cast aluminum	40.00 ea

Stop bracket kit w/rubbers

40-714008-S	Stop kit	17.50 set
B-41484	Bumper only	7.50 pr



Latch (remote type) 1937-39:

B-527102	27.50 ea
----------	----------

Pad for back of latch (1939 only)

91A-7643222	15.00 ea
-------------	----------

Latch Mount bracket (weld to drip rail)

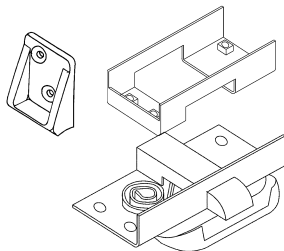
B-527103	15.00 ea
----------	----------

Striker, cast stainless

40-765780	60.00 ea
-----------	----------

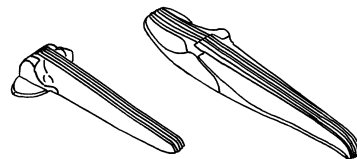
Rumble Lid Weather Seal

48-713450-B	30.00 ea
-------------	----------



Trunk Lid Hardware

1937-38 Coupe and Cabriolet



Hinges

78-713570-S	1937-38 coupe and cabriolet	not.avbl
78-706850/51-A	1937 Slantback sedans	not.avbl
78-706850/51-B	1937 Humpback sedans	not.avbl
78-746850/51	1937-38 Convertible sedans	not.avbl
81A-701570-AS	1938 Standard sedan	not.avbl
81A-701570-BS	1938 Deluxe sedan	not.avbl

Hinge to Body pads

78-7042707-A	1937 Slantback sedans	10.00 set
78-7042707-B	1937 Humpback sedans	10.00 set
78-7042707-C	1937-39 Convertible sedan	10.00 set

Latch

78-52502	Latch: 1937 (note 1935-36 can be modified to fit)	50.00 ea
81A-52502	Latch: 1938 (note 1935-36 can be modified to fit)	not.avbl
78-52500-A	Striker, stainless: 1937-38 Coupe	50.00 ea
78-52500-B	Striker, stainless: 1937-39 Sedan	50.00 ea

Deck Lid Weather Seals

Sponge Rubber (as original, no corners):

78-713450	Coupe, Sedan, Convertible w/trunk	25.00 ea
78-713450-B	Phaetons and Convertible Sedans	30.00 ea

Hollow core sponge rubber with bonded corners:

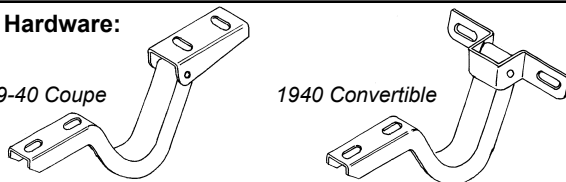
78-713450-A	1937-38 Coupe & Convertible w/trunk	30.00 ea
81A-713540	1938 Deluxe, 1939-40 Sedan	55.00 ea

Trunk Lid Hardware:

1939-40

1939-40 Coupe

1940 Convertible



Hinges

91A-7742700-SS	Hinges: 1939-40 Coupe	not.avbl
01A-6642700-SS	Hinges: 1940 Convertible	130.00 pr

Prop

91A-7744200-S	Props: 1939-40 Coupe & 1940 Convertible	not.avbl
99A-7044200-S	Props: 1939-48 Sedans	250.00 pr
91A-41513-MB	Prop shoulder bolt (to body)	20.00 ea

Latch

81A-52502	Latch: 1939 sedan (1937 can be modified to fit)	not.avbl
01A-52502-A	Latch, 1939-40 Coupe, 1940 Convertible	not.avbl
01A-52502-B	Latch, 1940 Sedan	32.50 ea

Striker

01A-52500-A	Striker, stainless, 1939-40 Coupe, 1940 Conv	100.00 ea
78-52500-B	Striker, stainless: 1937-39 Sedan	50.00 ea
01A-52500-B	Striker, stainless, 1940 Sedan	50.00 ea

Bumpers

01A-41518	Deck lid Bumpers, Coupe, 1940 Convertible	5.00 pr
-----------	---	---------

Deck Lid Seals: Hollow core sponge rubber w/bonded corners:

81A-713540	1938 Deluxe, 1939-40 Sedan	55.00 ea
91A-713540	1939-40 Coupe	55.00 ea
01A-713540	1940 Convertible	55.00 ea

Door Handles: 1941 Passenger

11A-702350	Handles, die cast, chrome	not.avbl
91A-702356	Rubber pads	5.00 pr
48-702302	Lock cylinder, flipper style	45.00 ea

* Parts with price listed as "not.avbl" are not known to be available at this time, but are listed for reference.