

1948-56 Pickup Door, Window and Interior

Outside Door Handle: 1948-52 Pickup

7C-8122400	Handle, RH, Die Cast, Chrome Plated	40.00 ea
7C-8122401	Handle, LH, Die Cast, Chrome Plated	40.00 ea
7C-8122428	Pads, rubber	5.00 pr

Outside Door Handle: 1953-56 Pickup

BAAA-8122400-B	RH Handle (w/o push button)	40.00 ea
BAAA-8122401-B	LH Handle (w/o push button)	40.00 ea
BAAA-8122400-PB	Push button kit (button with spring)	15.00 ea
BAAA-8122400-SS	Shield under outside handles, stainless	20.00 pr
BAAA-8122428	Rubber pads, 4 pc. set, does both doors	10.00 set
BAAA-8222428-P	Rubber pad, Panel Rear Door	5.00 ea

Inside Door and Window Handle: 1948-52 Pickup

7C-8122614	Inside door handle, chrome plated	20.00 ea
7C-8123342	Window handle, chrome w/black knob	20.00 ea
A-46250-P	Handle to shaft pin	0.25 ea
7C-8122618	7C-8122618	10.00 ea

Inside Door and Window Handle: 1953-55 Pickup

BAAA-8122600	Inside door handle	17.50 ea
BAAA-8123342	Window handle, w/black knob	17.50 ea
BAAA-8122618	Escutcheon, stainless steel	7.50 ea
BAAA-702400-RC	Handle to shaft clip, use w/round spline shaft	5.00 ea

Inside Door and Window Handle: 1956 Pickup

B6C-8122600	Inside door handle	17.50 ea
B6C-8123342	Window handle, w/black knob	17.50 ea
B6C-8122618	Escutcheon, stainless steel	7.50 ea
BAAA-702400-RC	Handle to shaft clip, use w/round spline shaft	5.00 ea

Arm Rests

8C-8124141	Front door, 1948-52 Pickup	not.avbl
BAAA-8124141	Front door, 1953-56 Pickup	65.00 pr

Door Inside and Dash Stainless Trim Set

BAAA-20960-81S	1953-55 Pickup	70.00 set
----------------	----------------	-----------

Door Side Emblems

B5C-8125622-A	"Custom Cab": 1955-56 Pickup	27.50 pr
---------------	------------------------------	----------

Pickup Headliner Kits

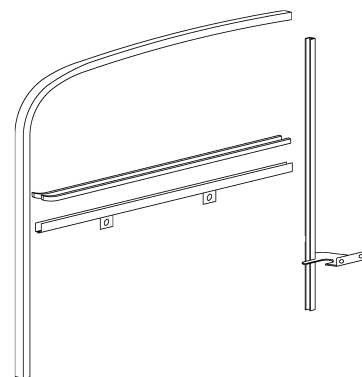
Cardboard, pre cut and stitched

7C-8151968-BL	1948-52, black	225.00 ea
7C-8151968-BR	1948-52, brown	225.00 ea
7C-8151968-GR	1948-52, grey	225.00 ea

Typical 1948-56 Pickup Window Parts

Window Felt Kits

Kits includes stainless steel division bars (with felt run and back edge of vent window seal, lower window anti rattles & window back and top run strips for 2 windows. All necessary mounting clips included



7C-45983-PUX	1948-52	200.00 ea
BAAA-45983-PUX	1953-55	200.00 ea
B6C-45983-PUX	1956	200.00 ea

Pickup Window Felt Kit Parts (included in kit)

1948-52:	RH		LH	
Division Bar	7C-8122296-C	65.00 ea	7C-8122297-C	65.00 ea
Lower strips (4pc)	7C-8121452-S	35.00 set		
Run Strip (plain)	7C-8121555	45.00 ea	7C-8121555	45.00 ea
1953-55:				
Division Bar	BAAA-8122296-C	65.00 ea	BAAA-8122297-C	65.00 ea
Lower strips (1 door)	BAAA-8121452-S	25.00 pr	BAAA-8121452-S	25.00 pr
Run Strip (stainless)	BAAA-8121555	65.00 ea	BAAA-8121555	65.00 ea
1956:				
1956 Division Bar	B6C-8122296-C	65.00 ea	B6C-8122297-C	65.00 ea
Lower felt strip 1 door	B6C-8121452-S	35.00 pr	B6C-8121452-S	35.00 pr
Run Strip (stainless)	B6C-8121555	45.00 ea	B6C-8121555	45.00 ea

Door Glass Retaining Channels

7C-8121462-A	Door glass bottom channel, R or L, 48-52 PU	27.50 ea
BAAA-8121458-A	Door glass bottom channel, R or L, 53-55 PU	30.00 ea
B6C-8121458-A	Door glass bottom channel, RH or LH, 56 PU	30.00 ea

Window Regulators

7C-702700	1948-52 Pickup, RH	70.00 ea
7C-702701	1948-52 Pickup, LH	70.00 ea
BAAA-8123200	Window Regulator, RH, 1953-55 PU	85.00 ea
BAAA-8123201	Window Regulator, LH, 1953-55 PU	85.00 ea
B6C-8123200-B	Window Regulator, RH, 1956 PU	70.00 ea
B6C-8123201-B	Window Regulator, LH, 1956 PU	70.00 ea

Regulator Repair Parts

7C-8123205-S	Window crank shaft repair kit, 48-52 PU	not.avbl
BAAA-8123205-S	Window crank shaft repair kit, 53-55 PU	22.50 ea
BA-7023240-A	Window Regulator Rollers, 53-56 PU	7.50 ea
B6C-8123205-S	Window crank shaft repair kit, 56 PU	22.50 ea

Front Door Vent Window Rubber Seal

7C-8121448-S	1948-52 Pickup	70.00 pr
BAA-8121448-S	1953-55 Pickup	70.00 pr
B6C-8121448-S	1956 Pickup	70.00 pr

Pickup Vent Window Back Edge Seals

7C-8121450-RM	1948-52 Pickup	25.00 pr
BAAA-8121450-R	1953-55 Pickup	20.00 pr
B6C-8121450-RM	1956 Pickup	35.00 pr

Vent Window Handles, Push Out, Chrome Plated

78-735280	1948-50 Pickup	22.50 ea
78-735281	1948-50 Pickup	22.50 ea
8M-7022916	1951-52 Pickup, RH	22.50 ea
8M-7022917	1951-52 Pickup, LH	22.50 ea
BAAA-8122916	1953-55 Pickup, RH	20.00 ea
BAAA-8122917	1953-55 Pickup, LH	20.00 ea
A9AZ-8122916	1956 Pickup, RH, w/button	25.00 ea
A9AZ-8122917	1956 Pickup, LH, w/button	25.00 ea

* Parts with price listed as "not.avbl" are not known to be available at this time, but are listed for reference.

1948-56 Pickup Door, Window and Interior, cont

Vent Window Button & Spring, Push Out

8A-7022920-S	1951-56 Pickup	5.00 ea
--------------	----------------	---------

Vent Window Handle Pivot Shaft and Bracket

7C-7022938	1948-50 Pickup front vent	17.50 ea
01A-7022938	1951-55 Pickup	20.00 ea
8A-7022920-R	1956 Pickup, RH front vent	12.50 ea
8A-7022920-L	1956 Pickup, LH front vent	12.50 ea

Vent Window Frame

Stainless steel, includes pivots

BAAA-8121406-B	RH, 1953-55 PU	165.00 ea
BAAA-8121407-B	LH, 1953-55 PU	165.00 ea

Vent Window Frame Hinge Pivot Brackets

BAAA-8121408-R	Lower pivot bkt, RH, 1953-55 PU	25.00 ea
BAAA-8121408-L	Lower pivot bkt, LH, 1953-55 PU	25.00 ea

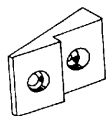
Back Window Seals, Ends seamed as original.

7C-8142084-A	1948-50 Pickup (small window)	22.50 ea
7C-8242084-P	1948-52 Panel delivery	60.00 pr
1C-8142084	1951-52 Pickup (large window)	25.00 ea
BAA-8142084	1953-56 Pickup	25.00 ea
BAA-8242084-P	1953-56 Panel delivery	60.00 pr
B6C-8142084	1956 Pickup (wrap-around)	40.00 ea

1948-52 Pickup Door Latch and Striker:

1938-52 Front door

48-46137	Plain	10.00 ea
81A-702340-SS	Stainless	17.50 ea
48-702336-B	Nut plate for striker	17.50 pr
78-7022026	Pad for striker	5.00 pr



Door Latch Strikers: 1950-54 Passenger

BA-702350-R	Latch stiker: RH, 1950-54 Passenger	17.50 ea
BA-702350-L	Latch stiker: LH, 1950-54 Passenger	17.50 ea

Door Latches and Strikers: 1953-56 F-100

BAAA-702350-R	Latch stiker: RH, 1953-55	20.00 ea
BAAA-702350-L	Latch stiker: LH, 1953-55	20.00 ea
B6C-702350-R	Latch stiker: RH, 1956	20.00 ea
B6C-702350-L	Latch stiker: LH, 1956	20.00 ea
BA-702340-SK	Door striker screw set (3 pc), 53-56 PU	2.00 set
BAAA-8121818-RK	Inside Door Handle Shaft Repair Kit	22.50 ea

Door Seals: 1953-56 Pickup

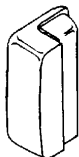
Sponge seal is glued to top, sides and to retainer at bottom of door.

BAA-8120530-S	1953-55 Seal kit, includes lower seal	55.00 pr
B6C-8120530-S	1956 Seal kit, includes lower seal	70.00 pr
BAA-8243722-S	1953-56 Panel Door seal kit	75.00 pr
BAAA-8120712-PR	Lower seal retainer, 1953-56, steel	17.50 pr

Door Bumpers

1948-52

78-46440	Front door	1.50 ea
----------	------------	---------



Door Dovetail

11A-702550-A	1944-52	15.00 ea
40-702550-S	Mounting screws	2.00 set

Dovetail Socket Repair Kit:

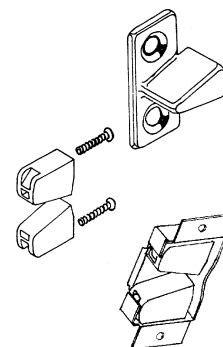
Note: Housing is welded into door jamb.

11A-702574-RK	1948-52	7.50 ea
---------------	---------	---------

Dovetail Socket Assembly:

Note: Housing is welded into door jamb.

11A-702570-S	1944-52	20.00 pr
--------------	---------	----------



Door Seals: 1948-52 Pickup

Sponge seal is glued sides and top of door. The lower seal mounted in a retainer to the body.



8C-8120530-S	Door Seal kit, includes lower seal	90.00 pr
7C-8120712-PR	Lower door seal retainer, 1948-52, steel	20.00 pr
7C-8343722-S	Back door to body seals, Panel Truck	85.00 pr

* Parts with price listed as "not.avbl" are not known to be available at this time, but are listed for reference.