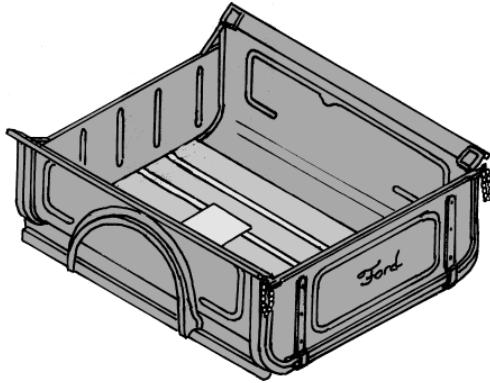


1926-1931 (early style) Pickup Box

Complete Pickup Boxes



Assembled boxes. Tailgate NOT included

A-78000-A 1928-30 (56" long) box, assembled 2000.00 ea

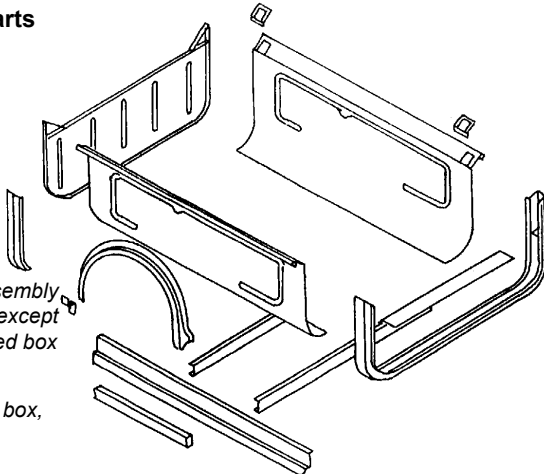
Un-Assembled box kit. Tailgate IS included

A-78000-AK 1928-30 (56" long) box kit 1625.00 ea

Note: Assembled boxes are shipped freight collect from manufacturer in Ohio. Unassembled boxes can be shipped via UPS in USA.

Pickup Box Parts

Stamped steel, unless noted.



Subframe assembly not available except with assembled box or kit.

Fits the "Narrow" box, 41 1/2" wide.

Box side components:

A-78318-AS	Sides: (56" long), 1928-30	725.00 pr
A-78318-HS	Sides: 45 1/2 long, shortly 1928-30	750.00 pr
T-78243-A	Front panel, 1926-27	not.avbl
A-78243-A	Front panel, 1928-30	200.00 ea
A-78328	Front pockets, 1926-30	125.00 ea
A-78330	Pocket plates, 1926-30	not.avbl
A-78322	Rear crossmember, 1926-30	350.00 ea
A-78323	Floor skid plate, 1926-30	100.00 ea
A-78450	Fender support, 1928-30	225.00 pr
A-78400-RS	Rivet set for bed, 1926-30	12.50 set

Box subframe:

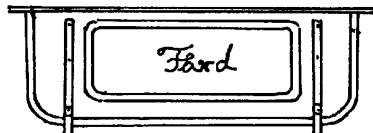
A-78037-S	Subrails, 1928-30	325.00 pr
A-78040	Crossrails, 1926-30	175.00 pr
A-78005-S	Sill retainer, 1928-30	35.00 pr
AWD-1230	Wood sills, 1928-30	140.00 pr

Box To Cab Splash Apron

A-878 1928-31, Mount on top of frame 75.00 ea

Tailgate, Stamped Steel

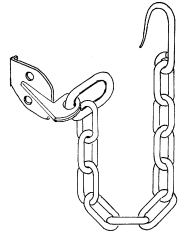
41 1/2" wide



A-78404 375.00 ea

Tailgate Chain Hooks & Brackets

A-78400	Bracket on box, plain	10.00 ea
A-78402	Chain, plain	5.00 ea
A-78403	Top link, Plain	5.00 pr
A-78403-SS	Top link, Stainless	7.50 ea
A-78401	Hook, Plain	5.00 ea
A-78401-SS	Hook, Stainless	10.00 ea
40-78423	Hook spring, Plain	7.50 ea
A-78420	Chain cover, black fabric	5.00 ea



Stainless chain and special link kit

A-78402-SS Chains and connectors for both sides, hooks not inc. 75.00 pr

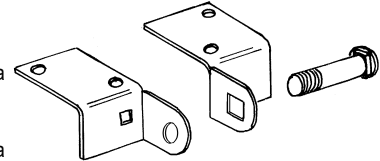
Tailgate Hinges

Hinge bracket set

2 required per box

A-78446

12.50 ea



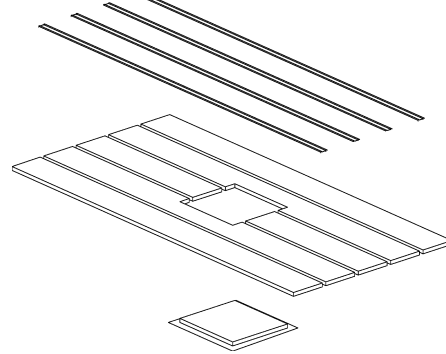
Bolts

2 required per box

A-78456

7.50 ea

Box Floors



Stock (uses center plate)

A-78003-AS	Box floor wood, stock style, oak	300.00 set
A-78028	Box floor center plate, plain	35.00 ea
A-78028-SS	Box floor center plate, stainless	85.00 ea
A-78002-S	Rub strips, plain, 56", set of 4	100.00 set
A-78002-SS	Rub strips, stainless, 56", (set of 4)	175.00 set

Street Rod (no center plate)

A-78003-ASR	Box floor wood, no center pan style, oak	350.00 set
A-78002-SS	Rub strips, stainless, no pan, 56", (set of 4)	175.00 set

Rub Strip Mounting Bolts with Special Washers

A-78002-MS	Rub strip mount bolt set, plain,	30.00 set
A-78002-MSSK	Rub strip mount bolt set, stainless	37.50 set

Accessory Wood Sideboards

AWD-1235 1928-30 350.00 pr

Rivet Setting Tools

Rivet Setting Tools For Assembling Pickup Boxes

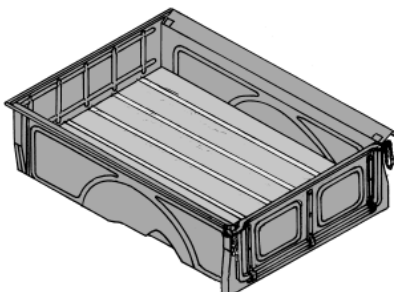
X-18814-M	Manual, for 1/4" rivet	32.50 ea
X-18838-M	Manual, for 3/8" rivet	32.50 ea
X-18814-A	Use on air chisel, for 1/4" rivet	25.00 ea
X-18838-A	Use on air chisel, for 3/8" rivet	25.00 ea

* Parts with price listed as "not.avbl" are not known to be available at this time, but are listed for reference.

1931 (late style) - 1937 Pickup Bed

Complete Pickup Boxes

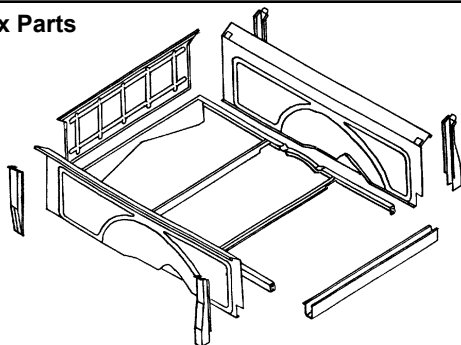
Complete or kit boxes include box sides, front, subframe components, stakepockets, rivets, floor wood, floor cover or rub strips and bolts, and tailgate, with hinges, chains, brackets and hooks. Specify floor: original type sheetmetal floor or oak flooring with stainless rub strips.



Year	Assembled Box	Unassembled Box Kit
1931 Late	A-78000-B	3250.00 ea A-78000-BK 2350.00 ea
1932 stock	B-78000	3250.00 ea B-78000-K 2350.00 ea
1932 55"	B-78000-S	3250.00 ea B-78000-SK 2350.00 ea
1933-34 stk	46-78000	3250.00 ea 46-78000-K 2350.00 ea
1933-34 60"	46-78000-S	3250.00 ea 46-78000-SK 2350.00 ea
1935-36	50-78000	3250.00 ea 50-78000-K 2350.00 ea
1937	77-78000	3250.00 ea 77-78000-K 2350.00 ea

Note: Complete assembled and unassembled boxes are shipped freight collect from manufacturer in Missouri. Crating Fee Applies.

Late 1931-37 Box Parts

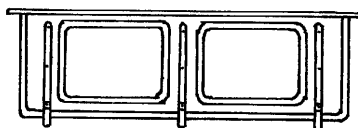


Pickup Bed Sides	Right Side	Left Side
Late 1931 (61")	A-78328-B 325.00 ea	A-78329-B 325.00 ea
1932 Short (55")	B-78318-55 350.00 ea	B-78319-55 350.00 ea
1932 Stock (70 1/2")	B-78318 350.00 ea	B-78319 350.00 ea
1933-34 Short (60")	46-78318-60 325.00 ea	46-78319-60 325.00 ea
1933-34 Stock (70 1/2")	46-78318 325.00 ea	46-78319 325.00 ea
1935-36 Stock (70 1/2")	50-78318 325.00 ea	50-78319 325.00 ea
1937 Stock (74 1/2")	77-78318 325.00 ea	77-78319 325.00 ea
Front stake pockets	B-78328 40.00 ea	B-78328 40.00 ea
Rear stake pockets	B-78322 40.00 ea	B-78322 40.00 ea
Center support (1937)	81C-78358 15.00 ea	81C-78358 15.00 ea
Front and Rear	Late 1931	1932-37
Front Panel	A-78243-B 250.00 ea	B-78243 250.00 ea
Rear Crossmember	A-78043 100.00 ea	B-78043 60.00 ea
B-78400-RS	Bed assembly rivet kit, 1931-37	65.00 ea

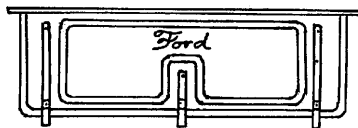
Tailgates

Stamped steel, 46 3/4" wide

1931-34 style (no script)
B-78404 375.00 ea



1935-36 style (script)
50-78404 375.00 ea

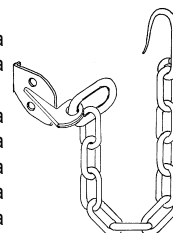


1937 style (V8)
77-78404 375.00 ea



Tailgate Chain Hooks & Brackets

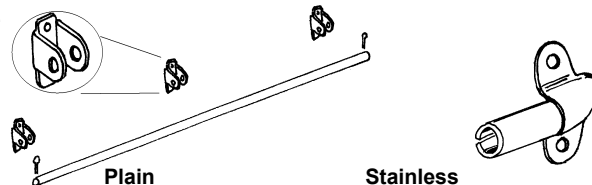
B-78400	Bracket on box, plain	10.00 ea
B-78402	Chain, plain	5.00 ea
A-78403	Top link, Plain	5.00 pr
A-78403-SS	Top link, Stainless	7.50 ea
A-78401	Hook, Plain	5.00 ea
A-78401-SS	Hook, Stainless	10.00 ea
40-78423	Hook spring, Plain	7.50 ea
A-78420	Chain cover, black fabric	5.00 ea



Stainless chain and special link kit

B-78402-SS Chains and connectors for both sides, hooks not inc. 75.00 set

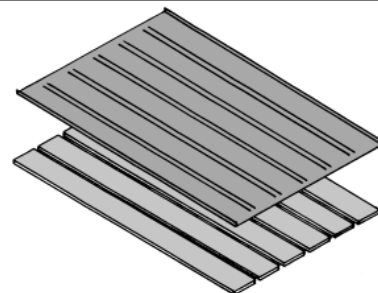
Tailgate Hinges



Year	Plain	Stainless
1931-36 Bracket on box	B-78446 7.50 ea	B-78546-S 40.00 ea
1931-36 Rod	B-78546 15.00 ea	81C-78446-SS 22.50 ea
1937 hinge	81C-78446 10.00 ea	

Box Floor, Original Design

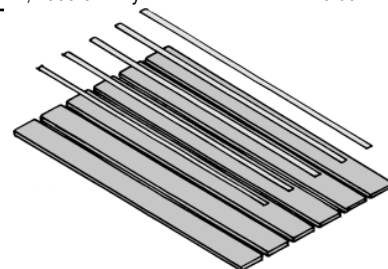
The original late 1931 to 1950 pickup box floors used a wood sub-floor with a full sheetmetal cover with rub rails embossed in. The wood is designed to be covered with the sheetmetal cover.



Year	Floor wood set	Floor sheetmetal
1931 late	A-78003-BS 300.00 set	A-78004-BS 450.00 ea
1932	B-78003-S 300.00 set	B-78004-S 425.00 ea
1933-34	46-78003-S 325.00 set	46-78004-S 425.00 ea
1935-36	50-78003-S 325.00 set	50-78004-S 450.00 ea
1937	77-78003-S 325.00 set	77-78004-S 425.00 ea
B-78003-MS	Bed floor bolt set for original type floor sheetmetal	17.50 ea
46-78004-GC	Gas sender cover, 1933-34 only	25.00 ea

Box Floor, Custom Design

A natural wood floor for a street rod truck. This kit includes oak flooring, stainless rub strips, bolts, and special brackets and spacers for a professional factory looking floor.



A-78003-BSR	1931 Late Custom floor kit	450.00 ea
B-78003-SRS	1932-36 Custom floor kit	475.00 ea
77-78003-SRS	1937 Custom floor kit	450.00 ea
7C-78003-CS	Optional corner angle rub strips	95.00 pr

Bed To Frame Mounting

Mount bolts are exposed and may require washers on wood floors.

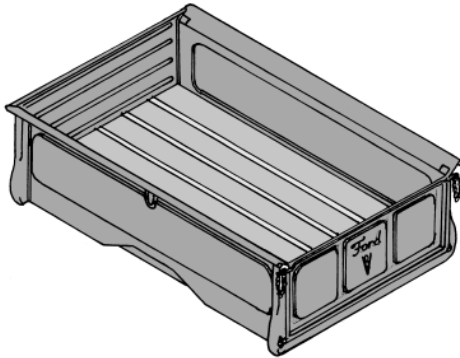
AWD-1231	Wood mounting subsills, Late 1931 only	475.00 set
VWD-1230	Wood spacer blocks for rear mount, 1935-37	90.00 pr
B-350628-C	8" Carrage, 1931-37 front, 1931 rear	not.avbl
B-350628-4	Flat square socket, 3 3/4", 1932-34 rear	not.avbl
B-350628-4	Flat square socket, 3 3/4", 1935-37 center	not.avbl
B-350628-8	Flat square socket, 8", 1935-37 rear	not.avbl

* Parts with price listed as "not.avbl" are not known to be available at this time, but are listed for reference.

1938-50 Pickup Beds

Complete Pickup Boxes

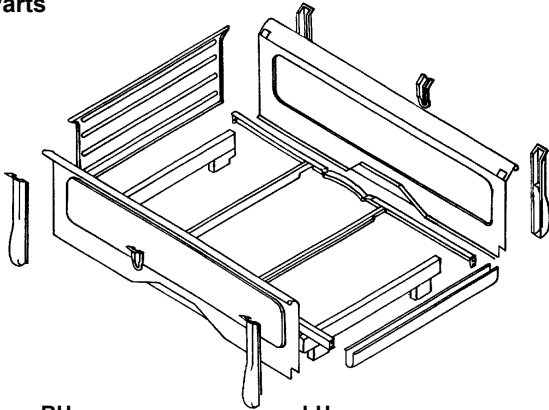
Complete boxes and kits include sides, front, subframe, stake pockets, floor, and tailgate with hinges, chains, brackets and hooks. Specify floor: Sheetmetal or oak with stainless rub strips.



Year	Assembled Box	Unassembled Box Kit
1938-40	81C-78000 3325.00 ea	81C-78000-K 2300.00 ea
1941	11C-78000 3250.00 ea	11C-78000-K 2350.00 ea
1942-47	21C-78000 3250.00 ea	21C-78000-K 2350.00 ea
1948-50	1C-78000 3250.00 ea	1C-78000-K 2350.00 ea

Note: Complete assembled and unassembled boxes are shipped freight collect from manufacturer in Missouri. Crating fee applies.

Pickup Box Parts



Bed Sides:	RH	LH
1938-47 sides	81C-78318 325.00 ea	81C-78319 325.00 ea
1948-50 sides	1C-78318 325.00 ea	1C-78319 325.00 ea
Center side support	81C-78358 15.00 ea	81C-78358 15.00 ea
Stake Pockets	81C-78328 32.50 ea	81C-78328 32.50 ea
Rear pocket brace	81C-78329 17.50 ea	81C-78330 17.50 ea
Bed Front & Rear:	1938-41	1942-47
Front Panel	81C-78243 175.00 ea	21C-78243 175.00 ea
Rear Crossmember	81C-78043 55.00 ea	21C-78043 55.00 ea

Bed to Frame Mounting Bolts

Use with original metal floor covering only

B-350628-C	1938-41 Front (8" Carriage), 2 reqd	not.avbl
B-350628-4	Center (Flathead square socket, 3 3/4"), 4 reqd	not.avbl
B-350628-8	Rear (Flathead square socket, 8"), 2 reqd	not.avbl
7C-8144155-S	Bed to Frame Pads (1948-52)	20.00 kit
VWD-1231-F	Bed to frame wood, front, 1938-41	155.00 ea
VWD-1231-R	Bed to frame wood, rear, 1938-41	145.00 ea

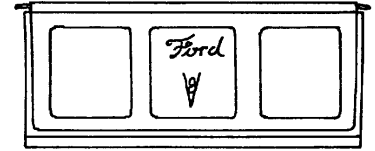
Spare Tire Bracket on Box

01C-1380	Stamped Steel, 1938-41	not.avbl
7C-1380	Stamped Steel, 1948-50	not.avbl

1938-40 Tailgate

Stamped steel
46 3/4" wide

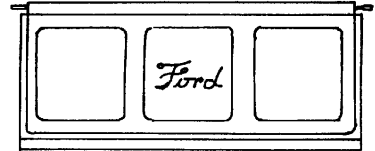
81C-78404 375.00 ea



1941 Tailgate

Stamped steel
46 3/4" wide

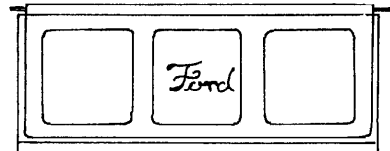
11C-78404 375.00 ea



1942-50 Tailgate

Stamped steel
49 3/4" wide

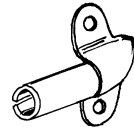
21C-78404 375.00 ea



Tailgate Hinges

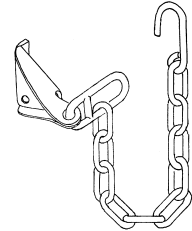
2 required per tailgate

81C-78446	Plain	10.00 ea
81C-78446-SS	Stainless	22.50 ea



Tailgate Chain Hooks & Brackets

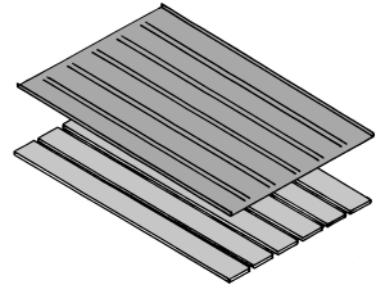
81C-78400	Chain bkt	7.50 ea
81C-78402	Chain	7.50 ea
81C-78403	Top Link (38-50)	12.50 ea
81C-78401	Hooks, plain	5.00 ea
A-78401-SS	Hooks, stainless	10.00 ea
40-78423	Hook spring	7.50 ea
7C-78420-S	Rubber covers	10.00 pr



Box Floor

Original Design

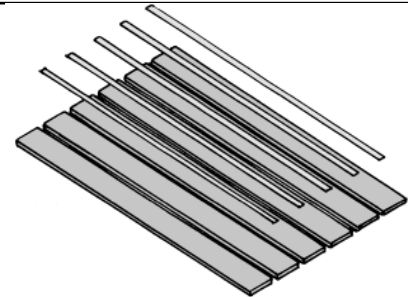
The original pickup box used a wood sub-floor with a full sheetmetal cover with rub rails embossed in.



Year	Floor Wood for cover	Floor Sheetmetal
1938-41	81C-78003-S 300.00 set	81C-78004-S 450.00 ea
1942-50	21C-78003-S 325.00 set	21C-78004-S 425.00 ea
B-78003-MS	Screw kit for original type sheetmetal floors 17.50 ea	

Box Floor, Custom Design

For the street rod truck with a wood floor. Kit includes oak wood, stainless rub strips, bolts, special brackets and spacers.



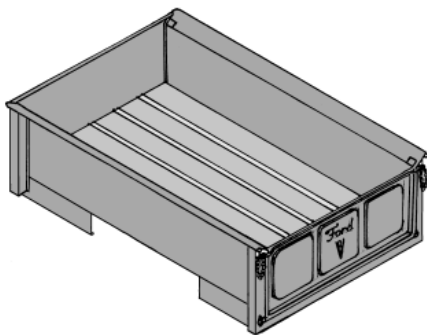
81C-78003-SRS	1938-41 Custom floor kit	450.00 set
21C-78003-SRS	1942-50 Custom floor kit	450.00 ea
7C-78003-CS	Optional corner angle rub strips	95.00 pr

* Parts with price listed as "not.avbl" are not known to be available at this time, but are listed for reference.

1951-56 Pickup Beds

Complete Pickup Boxes

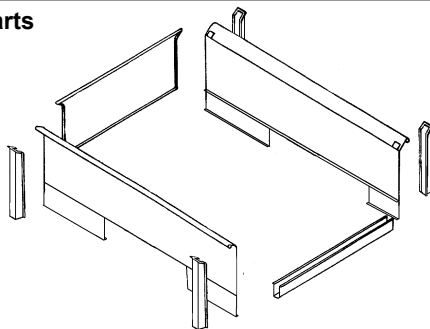
Complete boxes and kits include sides, front, subframe, stake pockets, oak floor with stainless rub strips, & tailgate with hinges, chains, brackets and hooks.



Year	Assemble				
1951-52	2C-78000	1975.00	ea	2C-78000-K	1375.00 ea
1953-56	3C-78000	2750.00	ea	3C-78000-K	2125.00 ea

Note: Complete assembled and unassembled boxes are shipped freight collect from manufacturer in Missouri. 1931-1956 boxes cannot be shipped via UPS.

Pickup Box Parts



2C-78318	Side: RH, 1951-52	275.00	ea
2C-78319	Side: LH, 1951-52	275.00	ea
3C-78318	Side: RH, 1953-56	275.00	ea
3C-78319	Side: LH, 1953-56	275.00	ea
51C-78243	Front panel, 1951-56	150.00	ea
51C-78328	Stake pockets (front or rear), 1951-56	22.50	ea
3C-78041	Front crossmember, 1953-56	90.00	ea
3C-78042	Center crossmember, 1951-56	90.00	ea
BAA-8310608	Rear Crossmember, 1951-56	100.00	ea

Subframe: Not available separately

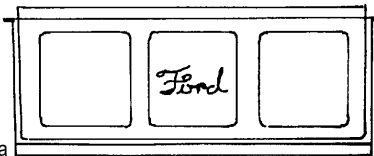
Bed to Frame Mounting Bolts & Pads

7C-8144155-S	1948-52 Bed to frame pads	20.00	kit
BA-8144155-S	1953-56 Bed to frame pads	17.50	kit

1950-52 Tailgate

Stamped steel
49 3/4" wide

51C-78404	375.00	ea
-----------	--------	----



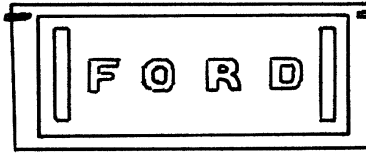
1953-56 Tailgate

Stamped steel
1/2 ton, 49 3/4" wide

BAAA-78404	500.00	ea
------------	--------	----

3/4 ton

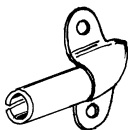
B7D-78404	525.00	ea
-----------	--------	----



Tailgate Hinges

2 required per tailgate

81C-78446	Plain	10.00	ea
81C-78446-SS	Stainless	22.50	ea



1951-52 Tailgate Chain Hooks and Brackets

Chain

81C-78402	7.50	ea
-----------	------	----

Hooks, plain

81C-78401	5.00	ea
-----------	------	----

Hooks, stainless

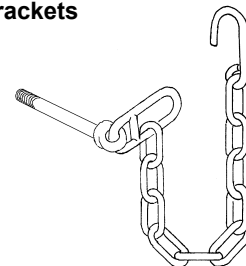
A-78401-SS	10.00	ea
------------	-------	----

Top Link

1C-78403	5.00	ea
----------	------	----

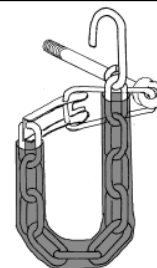
Eyebolt

1C-78400	10.00	ea
----------	-------	----



1953-56 Tailgate Chain Hooks and Brackets

Complete assembly includes hooks, latch brackets, and chain eyebolts.



Plain, including rubber cover:

BAAA-8344456-PR	95.00	pr
-----------------	-------	----

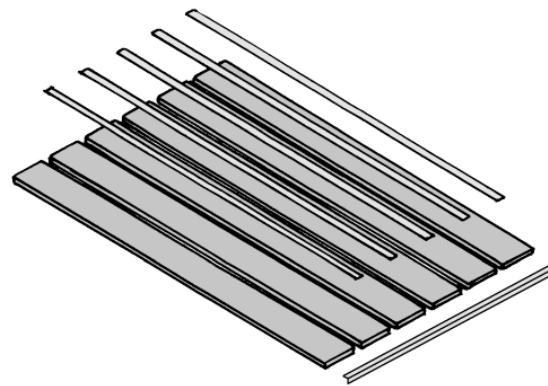
Stainless, without cover:

BAAA-8344456-SS	150.00	pr
-----------------	--------	----

Tailgate Chain Bumpers

BAAA-8344458-S	1953-56 Pickup	5.00	pr
----------------	----------------	------	----

Bed Floor



7C-78002-S	Rub strips, Plain, set of 7, no holes 77"	80.00	set
7C-78002-SS	Rub strips, Stainless, set of 7, no holes, 77"	140.00	set
7C-78002-SH	Rub strips, Plain, set of 7, w/holes 77"	105.00	set
7C-78002-SSH	Rub strips, Stainless, set of 7, w/holes, 77"	165.00	set
BAAA-78002-S	Rub strips, Plain, set of 7, no holes 95"	80.00	set
BAAA-78002-SS	Rub strips, Stainless, set of 7, no holes, 95"	150.00	set
2C-78003-S	Box Floor Wood kit, Oak (set of 6 pieces)	300.00	set
7C-78002-MS	Rub strip mounting bolt set, plain, fine thread	30.00	kit
B-78002-MS	Stainless bolt for rub strips, unpolished	1.00	ea
8C-8110609-CR	Bed floor end cap, plain steel	25.00	ea
8C-8110609-SSP	Bed floor end cap, polished stainless	40.00	ea

Spare Tire Bracket on Box

7C-1380	Stamped Steel, 1951-52	not.avbl
---------	------------------------	----------

* Parts with price listed as "not.avbl" are not known to be available at this time, but are listed for reference.