

1928-29 Coupe, Roadster, Tudor, Phaeton, and Pickup Body Repair Parts

Cowl Top Panels

(all except Fordor and Cabriolet)

With dummy filler neck

CTT2829A fiberglass 285.00 ea

Smooth, no filler neck

CTT2829F fiberglass 285.00 ea

A-117-A Steel 400.00 ea

With working cowl vent

Includes vent door, hinge, ratchet, and spring

CTT2829V fiberglass 750.00 ea



Recessed Cowl/Firewall, Fiberglass

(all except Fordor and Cabriolet)

Laminated using fire-retardant resin. Steel reinforcing and floorboard supports installed. Fits smallblock Chevy V8, even if using HEI distributor. Upper firewall is molded in. This is the minimum recessed firewall that will allow you to keep more legroom than any other recessed firewall.

CFA2829R Firewall: Recessed 750.00 ea

FLB31R Floorboard/trans cover, fiberglass 315.00 ea



Cowl/Firewall, Fiberglass

(all except Fordor and Cabriolet)

Upper Firewall

Mounts to cowl top

UFP2829A 225.00 ea

1928-29 Lower Firewall

Stock style, laminated, using fire-retardant resin. Steel reinforced, has floorboard supports installed.

For cars on Model A frame

CFA2829A 750.00 ea

For 29 Hiboy on '32 frame

CFA29HI 750.00 ea



Steel Replacement Firewall Parts

(all except Fordor and Cabriolet)

Street Rod Upper Firewall

Works with stock firewall.

BN-281003 105.00 ea

Stock lower firewall w/holes

A-1015-A 375.00 ea

Stock lower firewall no holes

A-1015-AO 375.00 ea

Recessed lower firewall

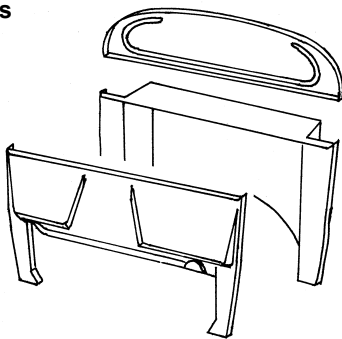
4" recess, fits chevy smallblock

BN-281002 350.00 ea

Front floorboard / trans hump

for recessed lower firewall

BN-281005 190.00 ea



Original Style Floorboards

A-35130-AS Front floorboards, wood 120.00 pr

AH-1122 Floorboard mounting screws 12 pcs 7.50 set

A-35130-S Front floorboard to body seal, felt 15.00 ea

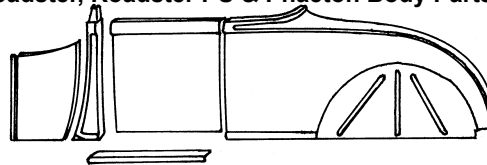
A-35123-FP Pedal & Steering tube seal, felt 7.50 ea

A-35122-S Pedal & column seal cover plate set 12.50 ea

A-35245-A Shift lever plate 10.00 ea

A-35245-CL Shift lever plate clips 7.50 set

1928-29 Roadster, Roadster PU & Phaeton Body Parts



Cowl Parts:

A-114-A Front cowl sides 150.00 pr

A-1011-A RH hinge post, w/upper braces 375.00 ea

A-1010-A LH hinge post, w/upper braces 375.00 ea

A-1010-AB Hinge post lower braces 100.00 pr

A-1005-A Cowl upper cross bar (outer), no braces 200.00 ea

A-1001-AB Cowl upper cross bar end braces 125.00 pr

A-1001-ACB Cowl upper cross bar center braces 35.00 pr

Door Parts

Stamped Steel. Good quality, requires expert bodywork for perfect fitting.

We recommend fitting the inner panel to body before installing outer skin.

RH **LH**

Front outer, stock A-1040-A 350.00 ea A-1041-AR 350.00 ea

Front outer, smooth A-1040-AR 350.00 ea A-1041-AR 350.00 ea

Front inner A-1044-A 475.00 ea 375.00 ea

A-136-A Outer door patch panels, roadster, 6" tall 75.00 pr

A-736-A Outer door patch panels, phaeton, 6" tall not.avbl

Rocker Panels

A-35525-S Roadster & Phaeton: Front 250.00 pr

A-36325-S Phaeton: Rear 250.00 pr

A-36325-XS Phaeton: Rear Extension 55.00 pr

A-1034 Mounting brackets on sill 55.00 pr

Roadster Quarter Panels

*Note: Quarter panels shipped only by truck from Ohio.

A-2050-A Quarter panel with inner braces, RH* 1075.00 ea

A-2051-A Quarter panel with inner braces, LH* 1075.00 ea

A-150-A Quarter patch panels, roadster 60.00 pr

A-181-AB Wheel well patch panels, roadster 100.00 pr

A-170-A Rear body corner patch, roadster 60.00 pr

A-170-ST Body panel joint "T" strip, must form to fit 100.00 ea

Roadster Pickup Cab Back & Quarters

A-877-A 1928-29 Cab back panel 375.00 ea

A-877-ABR 1928-29 Braces for cab back 150.00 pr

A-1050-A 1928-29 LH Quarter, w/braces 375.00 ea

A-1051-A 1928-29 RH Quarter, w/braces 375.00 ea

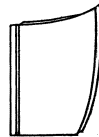
Phaeton Seat Back & Quarters

A-767-A Front seat back panel (may need bodywork) not.avbl

A-781-A Wheel well patch panels not.avbl

A-470-A Rear body corner patch not.avbl

A-170-ST Body panel joint "T" strip 100.00 ea



1928-29 Coupe & Tudor Body Patch Panels

Stamped steel



A-114-A Front cowl sides 150.00 pr

A-336-A Door outer panel patch, 6" tall 75.00 pr

A-336-AT Door outer panel patch, 22" tall, fits RH or LH not.avbl

A-336-IA Door inner panel patch 60.00 pr

A-437-B Door inner vertical brace not.avbl

A-438-B Quarter inner window stop support, Tudor not.avbl

A-350-A Quarter patch panels 60.00 pr

A-381-AB Wheel well patch panel, coupe 100.00 pr

A-481-AB Wheel well patch panel, tudor sedan 125.00 pr

A-170-A Rear body corner patch, coupe 60.00 pr

A-470-A Rear body corner patch, tudor not.avbl

A-463-AP Rear body panel patch, 6" tall, tudor not.avbl

A-463-AT Rear body panel patch, 22" tall, tudor not.avbl

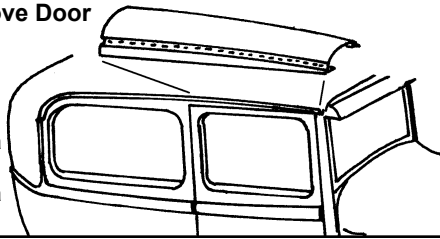
* Parts with price listed as "not.avbl" are not known to be available at this time, but are listed for reference.

1928-29 Coupe, Roadster, Tudor, Phaeton, and Pickup Body Repair Parts, cont

Body Roof Panels Above Door Stamped Steel

1928-29 Tudor:

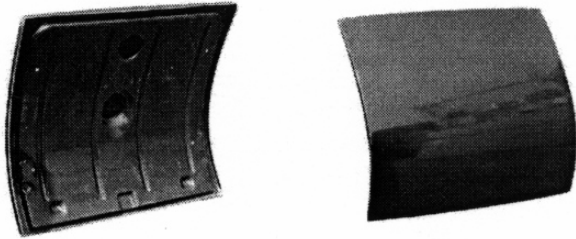
RH:		
A-47775-R	250.00	ea
LH:		
A-47775-L	250.00	ea



Coupe, Roadster & Cabriolet Deck Lid

Wescott fiberglass deck lid

Fiberglass inner and outer panels with steel reinforcing. Steel provides secure mounting for hinges, trunk prop, and rumble seat.



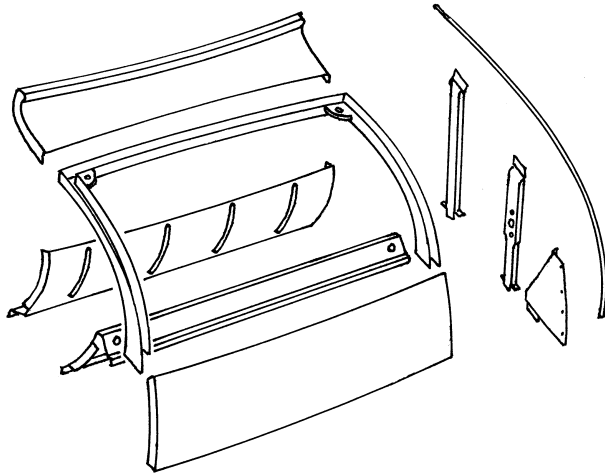
DL2829CR	Deck lid set up for stock latch	950.00	ea
DL3031CR-REM	Deck lid set up for remote latch striker	950.00	ea

Steel replacement deck lid panels

Stamped steel, good quality. These require some bodywork and are best fitted to body before fitting inner and outer panels together

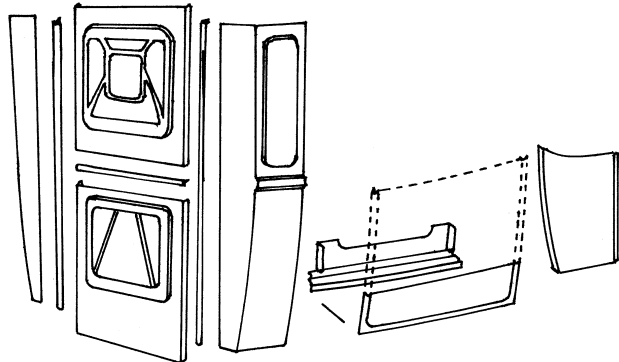
A-1059-ABS	Outer skin, no handle holes	375.00	ea
A-1059-AIS	Inner panel	425.00	ea

Coupe Roadster & Cabriolet Deck Opening Panels, Steel



A-167-A	Panel above deck lid, roadster	300.00	ea
A-169-A	Deck top and side drip channels	375.00	set
B-41519	Rumble bumper brackets on front drip corners	12.50	pr
A-166-A	Deck upper gutter brace, roadster	100.00	pr
A-366-A	Deck upper gutter brace, coupe	125.00	pr
A-162-B	Rumble hinge mount brace, roadster	100.00	pr
A-162-A	Rumble hinge mount brace, coupe	100.00	pr
A-160-AB	Rear corner triangle brace, roadster	125.00	pr
A-360-A	Rear corner triangle brace, coupe & cabriolet	not.avbl	
A-163-A	Panel below deck lid, roadster	85.00	ea
A-363-A	Panel below deck lid, coupe	85.00	ea
A-663-AB	Panel below deck lid, cabriolet	85.00	ea
A-161-A	Inner panel below deck, roadster w/rumble seat	100.00	ea
A-361-A	Inner panel below deck, coupe w/rumble seat	100.00	ea
A-161-T	Inner panel below deck, trunk lid gutter	80.00	ea

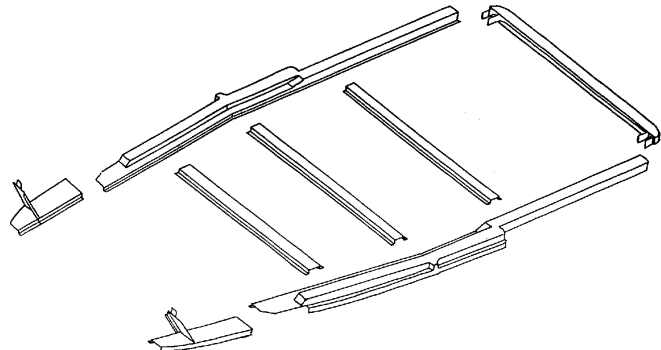
Closed Pickup Cab Panels



A-114-A	Cowl side panels	150.00	pr
A-836-A	Door outer patch panels, 6" tall	125.00	pr
A-836-AT	Door outer patch, RH, 22" tall	not.avbl	
A-836-ATL	Door outer patch, LH, 22" tall	not.avbl	
A-836-IA	Door inner patches	not.avbl	
A-977-S	Cab quarters panels, stock	475.00	pr
A-977-SL	Cab quarters panels, lengthened (12")	not.avbl	
A-977-W	Cab back upper panel	275.00	ea
A-977-L	Cab back lower panel	225.00	ea
A-977-TH	Cab back horizontal "T" strip	50.00	ea
A-977-TV	Cab back vertical "T" strips	100.00	ea
A-977-VB	Cab back Inner top brace and corner brackets	115.00	ea

Body Floor & Subframe Repair Parts

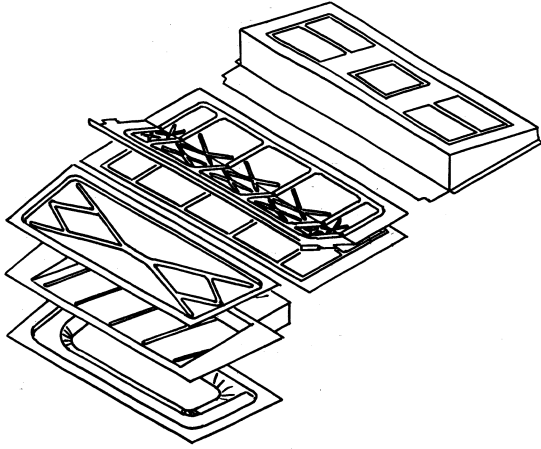
All body floor and subframe parts are stamped/fabricated steel. They will require some adjustment, metal finishing, drilling or welding during installation.



A-132-XA	Cowl subsill/floorboard supports	325.00	set
A-132-AF	Full subsills, Roadster	450.00	pr
A-132-A	Half (quarter back) subsills, Roadster	325.00	pr
A-332-AF	Full subsills, Coupe	450.00	pr
A-332-A	Half (quarter back) subsills, Coupe	325.00	pr
A-432-AF	Full subsills, Tudor sedan & Phaeton	450.00	pr
A-432-A	Half (quarter back) subsills, Tudor sedan	325.00	pr
A-832-AF	Full subsills, Closed Pickup Cab	450.00	pr
A-1032-AF	Full subsills, Roadster pickup	450.00	pr
A-131-AB	Floor support crossmembers, set of 3	70.00	set
A-131-AF	Floor support crossmember, front, pickup	40.00	ea
A-165-AB	Rear body crossmember, coupe & roadster	300.00	ea
A-465-AB	Rear body crossmember, tudor	300.00	ea
A-1031-A	Rear body crossmember, roadster pickup	150.00	set
A-831-A	Rear body crossmember, closed pickup	not.avbl	

* Parts with price listed as "not.avbl" are not known to be available at this time, but are listed for reference.

**1928-29 Coupe, Roadster, Phaeton,
Tudor, & Pickup Body Repair Parts, cont**
Coupe, Roadster and Pickup Body Floor Panels



A-335-A	Under seat pan, flat (no side curtain) Coupe, Roadster, Phaeton, Roadster PU	75.00 ea
A-127-A	Under seat pan w/side curtain storage Roadster and Phaeton	135.00 ea
A-835-A	Under seat pan, Closed pickup	125.00 ea
A-151-A	Center floor panel, Coupe and Roadster	125.00 ea
A-159-A	Trunk floor, Coupe and Roadster	125.00 ea

Street Rod Flat floor kit, steel

BN-281006	Coupe, Roadster, Tudor	350.00 kit
-----------	------------------------	------------

Body Wood Kits and Metal Brackets

Wood kits are manufactured from hardwood, usually oak. Top wood kits include the wood above top of the doors, including the windshield & door header wood, when used. The body wood kits include the door post, window surround, and any other body wood below the top of the doors. Body wood kits do not include door, floor, or seat wood.

Wood Kits:

AWD-1028	Top wood, Standard 5 Window Coupe	875.00 set
AWD-1287	Body wood, Standard 5 Window Coupe	900.00 set
AWD-1029	Top wood, Special 5 Window Coupe	900.00 set
AWD-1286	Body wood, Special 5 Window Coupe	1650.00 set
AWD-1085	Top wood (w/header) 1928-29 Sport Coupe	1200.00 set
AWD-1285	Body wood (belt rail and door posts) Sport Coupe	800.00 ea
AWD-1025	Top wood kit, Tudor	1100.00 set
AWD-1280	Body wood kit, Tudor	775.00 set
AWD-1033	Top wood kit, Pickup	875.00 set
AWD-1282	Body wood kit, Pickup	500.00 set
AWD-1275	Body wood, Roadster PU	400.00 set
AWD-1276	Body wood, Roadster	425.00 set
AWD-1277	Body wood, Phaeton	800.00 set

Wood Support Brackets

A-47771-A	Header side rail brackets, Coupes and Tudor	65.00 pr
A-47772	Upper cowl pillar support brackets, Coupes & Tudor	110.00 pr
A-47778-A	Center bow brace, 5 Window & Tudor	105.00 pr
A-47788	Rear header side rail bracket (small), 5 Window	20.00 ea
A-47790-R	Rear header side rail bracket (large), RH, 5 Window	22.50 ea
A-47790-L	Rear header side rail bracket (large), LH, 5 Window	22.50 ea
A-47791-R	Upper quarter window bracket, RH, 5 Window	20.00 ea
A-47791-L	Upper quarter window bracket, LH, 5 Window	20.00 ea
A-47792	Lower quarter window to body seam bkt, 5 Window	17.50 ea
A-47793-R	Rear corner bracket, RH, 5 Window	25.00 ea
A-47793-L	Rear corner bracket, LH, 5 Window	25.00 ea

* Parts with price listed as "not.avbl" are not known to be available at this time, but are listed for reference.