

1929-31 Cabriolet & Fordor and Victoria Body Repair Parts

Cowl and Firewall Panels

1929 Fordor and Cabriolet cowl and firewall panels are unique to those bodies. 1930-31 Firewalls and cowl tops interchange with other 1930-31 body styles.

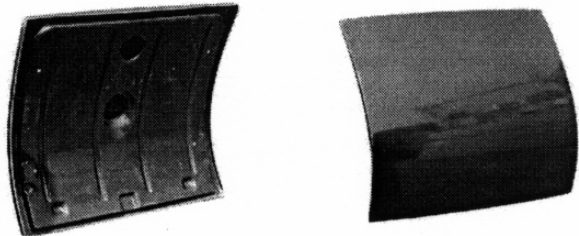
Patch Panels, Steel

A-514-A	Cowl Patch Panels, 1929	not.avbl
A-114-B	Cowl patch panels, 1930 Fordor & Cabriolet	60.00 pr
A-114-V	Cowl patch panels, Victoria & 1931 Fordor/Cabriolet	not.avbl
A-536-B	Door outer : 1929-30 (Murray body) Fordor Sedan	not.avbl
	no bead on bottom of door, set of 4	
A-636-B	Door outer 1929-30 (Briggs) & 1931 Fordor Sedan	not.avbl
	with bead on bottom of door, set of 4	
A-236-B	Door outer patch, Victoria & A-400	80.00 pr
A-236-IB	Door inner patch, Victoria & A-400	not.avbl
A-581-AB1	Wheel well patch, 1929-30 Fordor sedan & Victoria	not.avbl
A-170-ST	Body panel joint "T" strip, must form to fit	100.00 ea

Coupe, Roadster & Cabriolet Deck Lid

Wescott fiberglass deck lid

Fiberglass inner and outer panels with steel reinforcing. Steel provides secure mounting for hinges, trunk prop, and rumble seat.



DL3031CR	Deck lid set up for stock latch	950.00 ea
DL3031CR-REM	Deck lid set up for remote latch striker	950.00 ea

Steel replacement deck lid panels

Stamped steel, good quality. These require some bodywork and are best fitted to body before fitting inner and outer panels together

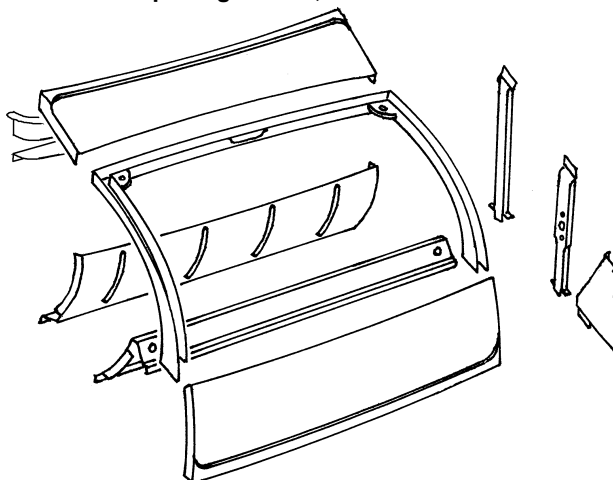
A-1059-ABS	Outer skin, no handle hole	375.00 ea
A-1059-BIS	Inner panel	425.00 ea

1928-31 Wood Frame Body Door Sill Finish Bead

A metal strip that nails to the sill on the wood subframe bodies

A-132-W	1928-31 Fordors, Cabriolets, Victoria.	95.00 ea
---------	--	----------

Cabriolet Deck Opening Panels, Steel



A-169-B	Deck top and side drip channels	375.00 set
A-166-B	Deck upper gutter brace	100.00 pr
A-162-B	Rumble hinge mount brace	100.00 pr
A-160-AB	Rear corner triangle bracket	125.00 pr
A-663-AB	Panel below deck lid, cabriolet	85.00 ea
A-161-A	Inner panel below deck, rumble seat cars	100.00 ea
A-161-T	Inner panel below deck, trunk lid gutter	80.00 ea

Body Wood Kits and Metal Brackets

Wood kits are manufactured from hardwood, usually oak. Top wood kits include the wood above top of the doors, including the windshield & door header wood, when used. The body wood kits include the door post, window surround, and any other body wood below the top of the doors. Body wood kits do not include door, floor, or seat wood.

1929-30 Fordor Sedan:

AWD-1030-IA	Top wood, "Murray" Fordor Sedan	2550.00 ea
AWD-1030-IB	Body wood, "Murray" Fordor Sedan	4225.00 ea
AWD-1030-IC	Floor sill wood, "Murray" Fordor Sedan	2050.00 ea
AWD-1030-ID	Door wood, "Murray" Fordor Sedan	3150.00 ea

1931 Fordor Sedan (slant windshield)

AWD-MA	Top Wood Kit	1275.00 set
AWD-MB	Body Wood Kit	900.00 set

Cabriolet

AWD-1292	Body wood kit, 1929-30 Cabriolet	900.00 ea
AWD-1292-SILLA	Sill wood, 1929-30 Cabriolet with adjustable seat	2050.00 ea
AWD-1292-SILLA	Sill wood, 1929-30 Cabriolet with fixed seat	2050.00 ea
AWD-1292-SILLA	Door wood, 1929-30 Cabriolet with adjustable seat	2050.00 ea
AWD-1292-DA	Door wood, 1929 (68A) Cabriolet	1750.00 ea
AWD-1292-DBW	Door wood, 1930 Cabriolet with wood window mount	1775.00 ea
AWD-1292-DBM	Door wood, 1930 Cabriolet with metal window mount	975.00 ea
AWD-1293	Body wood, 1931 Slant windshield cabriolet	925.00 set

Floor Sheetmetal Panels

A-559	Under front seat pan, fordor sedan	not.avbl
A-551-M	Center pan, Murray fordor	not.avbl
A-551-B	Center pan, Briggs fordor	not.avbl
A-255-V	Under rear seat floor pan w/o hump, Vicky	not.avbl
A-555-B	Under rear seat floor pan w/o hump, Briggs	not.avbl
A-555-M	Under rear seat floor pan w/o hump, Murray	not.avbl
A-458-AB	Under rear seat crossmember hump, sedans	175.00 ea

* Parts with price listed as "not.avbl" are not known to be available at this time, but are listed for reference.