

1930-31 Coupe, Roadster, Tudor, Phaeton, and Pickup Body Repair Parts

Cowl Top Panels

With dummy filler neck
CTT3031A fiberglass

285.00 ea



Smooth, no filler neck
CTT3031F fiberglass
A-117-B steel

285.00 ea
400.00 ea



With working cowl vent

Includes vent door, hinge ratchet, and spring:
CTT3031V fiberglass 750.00 ea

Original Style Firewall & Front Floorboards

FW3031S	Firewall, original style, fire retardant fiberglass	575.00 ea
A-1015-B	Firewall (original style), stamped steel	450.00 ea
A-1015-BO	Firewall (original style, no holes), steel	450.00 ea
A-35130-BS	Floorboards, wood	120.00 pr
AH-1122	Floorboard mount screws 12 pcs	7.50 set
A-35130-S	Front floorboard to body seal, felt	15.00 ea
A-35123-FP	Pedal & Steering tube seal, felt	7.50 ea
A-35122-S	Pedal & column seal cover plate set	12.50 ea
A-35245-B	Shift lever plate	10.00 ea
A-35245-CL	Shift lever plate clips	7.50 set

Tudor Sedan Rear and Center Wood Floorboards

A-34140-AS	Rear floorboard: 1928-29	85.00 ea
A-34140-BS	Rear floorboard: 1930-31	85.00 ea
A-34140-CS	Center floorboard: 1928-31	85.00 ea
AH-1122-B	Rear floorboard mount screws, 16 pcs	7.50 set

Minimum Recess Firewall, Fiberglass

Laminated using fire-retardant resin. Minimum recessed, designed to fit smallblock Chevy V8. Has clearance for HEI distributor. This firewall will keep more legroom in your car than any other recessed firewall.

Recessed firewall

FW3031R 575.00 ea

Firewall/trans cover

FLB31R 315.00 ea

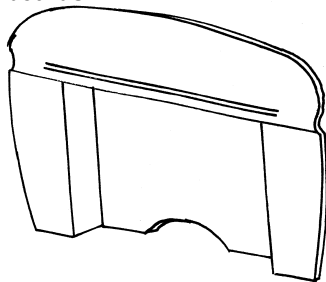


Street Rod Steel Firewall & Floorboards

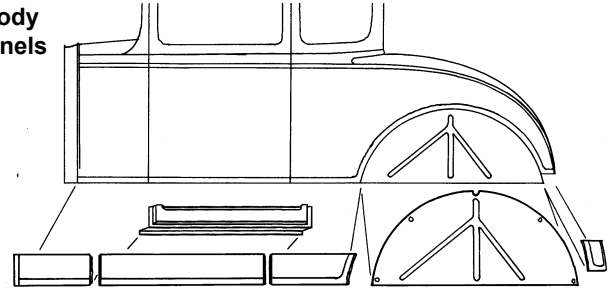
Smallblock - 3" setback
BN-301005 400.00 ea

Bigblock - 5" setback
BN-301000 450.00 ea

Front floorboard/ transmission hump
BN-281005 190.00 ea

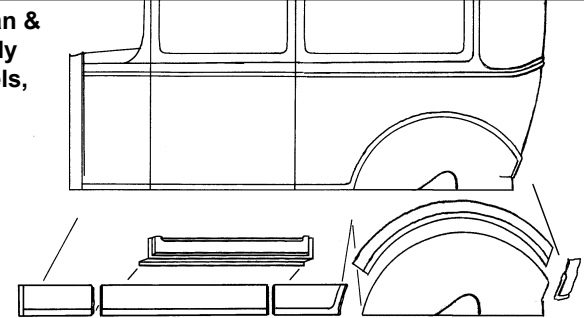


Coupe Body Patch Panels Steel



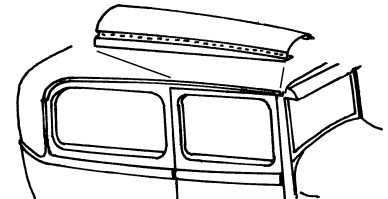
A-114-B	Cowl patch panels, Coupe	60.00 pr
A-336-B	Door outer patches, 6"	100.00 pr
A-336-BTR	Door outer patch, RH, 22" tall	not.avbl
A-336-BTL	Door outer patch, LH, 22" tall	not.avbl
A-336-IB	Door inner patches	140.00 pr
A-437-B	Door inside vertical window stop brace	not.avbl
B-47301-78	Roof rain gutter straight length, 78" form to fit	150.00 ea
A-332-BRW	Roll down back window drain box	150.00 ea
A-350-B	Quarter patch panels	60.00 pr
A-381-AB	Wheel well patch panels	100.00 pr
A-170-B	Rear body corner patch panels	60.00 pr

Tudor Sedan & Pickup Body Patch Panels, Steel



A-114-B	Cowl patch panels, Tudor and Pickup	60.00 pr
A-436-B	Door patch panels, 6" tall	100.00 pr
A-436-BTR	Door patch panel, RH, 22" tall	not.avbl
A-436-BTL	Door patch panel, LH, 22" tall	not.avbl
A-436-IB	Door inner patch panels	not.avbl
A-437-B	Door inner vertical window rest brace	not.avbl
A-438-B	Quarter inner window rest brace, tudor	not.avbl
A-450-B	Quarter patch panels, tudor	60.00 pr
A-481-AB	Wheel well patch, tudor sedan	125.00 pr
A-481-UR	Body bead above wheelwell, RH, tudor	160.00 ea
A-481-UL	Body bead above wheelwell, LH, tudor	160.00 ea
A-470-B	Body rear corners, tudor	65.00 pr
A-170-ST	Rear body panel joint "T" strip, steel	100.00 ea
A-870-B	Cab rear corners, pickup	60.00 pr
A-850-B	Back of cab patch (4' wide)	100.00 ea

Body Roof Panels Above Doors, Stamped Steel

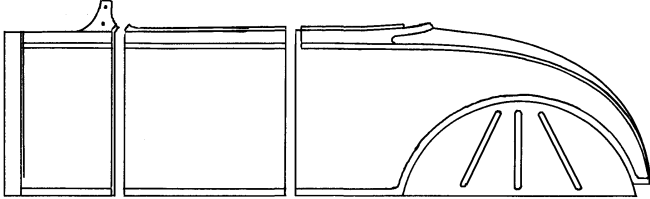


A-47776-R	Above Door Panel, RH, Tudor	325.00 ea
A-47776-L	Above Door Panel, LH, Tudor	325.00 ea
A-47776-PR	Above Door Panel, RH, Closed Pickup Cab	375.00 ea
A-47776-PL	Above Door Panel, LH, Closed Pickup Cab	375.00 ea

* Parts with price listed as "not.avbl" are not known to be available at this time, but are listed for reference.

1930-31 Coupe, Roadster, Tudor, Phaeton, and Pickup Body Repair Parts, cont

1930-31 Roadster, RPU & 4 door Phaeton Body Parts



Cowl		
A-114-BF	Full cowl sides	450.00 pr
A-114-B	Cowl patch panels, 6"	60.00 pr
A-1010-BUB	Cowl panel brace, upper	125.00 pr
A-1010-BLC	Cowl panel brace, lower	125.00 pr
A-1010-BFD	Cowl panel brace, front	225.00 pr
A-1013-B	Cowl/Dash bar/Windshield corner tie bkts	400.00 pr
A-1005-B	Dash upper inner bar	200.00 ea

Door
Stamped Steel. These are good quality but do require expert bodywork for perfect fitting and before painting. We recommend fitting the inner panel to the body before installing outer skin.

A-1040-B	Door outer skin, stock, LH front	350.00 ea
A-1041-B	Door outer skin, stock, RH front	350.00 ea
A-1040-BR	Door outer skin, smooth, LH front	350.00 ea
A-1041-BR	Door outer skin, smooth, RH front	350.00 ea
A-136-B	Door outer patch, 6" Roadster	100.00 pr
A-736-B	Door outer patch, 6" 4 door phaeton	not.avbl
A-1044-B	Door inner panel, RH front	475.00 ea
A-1045-B	Door inner panel, LH front	475.00 ea

Roadster Quarters		
A-2050-B	Quarter w/inner braces, LH, roadster*	1075.00 ea
A-2051-B	Quarter w/inner braces, RH, roadster*	1075.00 ea
A-150-B	Quarter panel patch, 6" tall	60.00 pr
A-181-AB	Wheel well patch panels, Roadster	100.00 pr
A-170-B	Quarter rear corner patch	60.00 pr

*Note: roadster quarter panels shipped only by truck from Ohio.

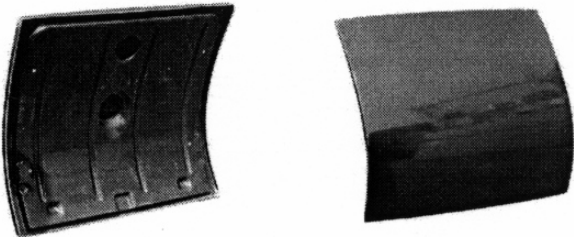
Phaeton Quarter and Seat Back		
A-767-B	Front seat back, phaeton (needs bodywork)	not.avbl
A-781-A	Wheel well patch panels, Phaeton (4 door)	not.avbl
A-470-B	Rear body corner patch, Phaeton (4 door)	65.00 pr
A-170-ST	Body panel joint "T" strip	100.00 ea

Roadster Pickup Cab Back & Quarters		
A-877-B	1930-31 Cab back & quarter panel	1100.00 ea
A-877-BBR	1930-31 Braces for cab back	275.00 ea

Coupe, Roadster & Cabriolet Deck Lid

Wescott fiberglass deck lid

Fiberglass inner and outer panels with steel reinforcing. Steel provides secure mounting for hinges, trunk prop. and rumble seat.



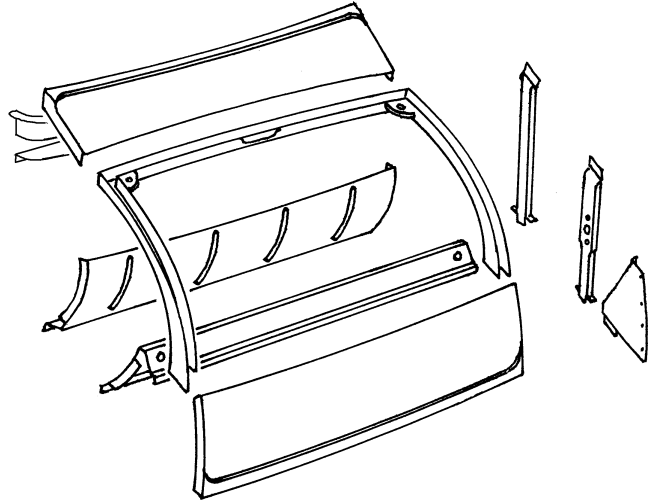
DL3031CR	Deck lid set up for stock latch	950.00 ea
DL3031CR-REM	Deck lid set up for remote latch striker	950.00 ea

Steel replacement deck lid panels

Stamped steel, good quality. These require some bodywork and are best fitted to body before fitting inner and outer panels together

A-1059-ABS	Outer skin, no handle hole	375.00 ea
A-1059-BIS	Inner panel	425.00 ea

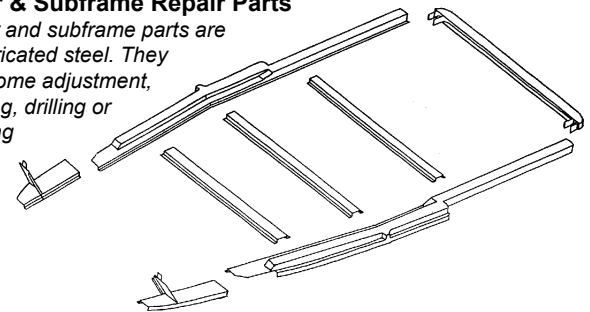
Coupe Roadster & Cabriolet Deck Opening Panels, Steel



A-167-B	Panel above deck lid, roadster	300.00 ea
A-367-B	Panel above deck lid patch, coupe	not.avbl
A-129-AB	Package tray (front above deck), roadster	125.00 ea
A-125-B	Seat adjuster (front above deck), roadster	100.00 ea
A-169-B	Deck top and side drip channels	375.00 set
A-166-B	Deck upper gutter brace	100.00 pr
A-162-B	Rumble hinge mount brace	100.00 pr
A-160-AB	Rear corner triangle bracket	125.00 pr
A-163-B	Panel below deck lid, roadster	85.00 ea
A-663-AB	Panel below deck lid, cabriolet	85.00 ea
A-161-A	Inner panel below deck, rumble seat cars	100.00 ea
A-161-T	Inner panel below deck, trunk lid gutter	80.00 ea

Body Floor & Subframe Repair Parts

All body floor and subframe parts are stamped/fabricated steel. They will require some adjustment, metal finishing, drilling or welding during installation.

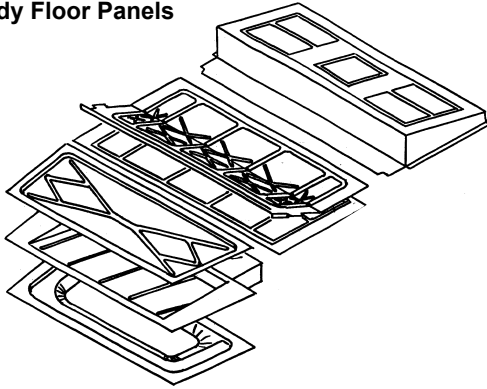


A-132-XB	Front sill extensions (floorboard support)	375.00 set
A-132-BF	Full body subsill, Roadster	450.00 pr
A-132-B	Half (rear of door back) subsill, Roadster	325.00 pr
A-332-BF	Full body subsill, Coupe	450.00 pr
A-332-B	Half (rear of door back) subsill, Coupe	325.00 pr
A-432-BF	Full body subsill, Tudor, shorten for Pickup	350.00 pr
A-432-B	Half (rear of door back) subsill, Tudor	275.00 pr
A-1032-BF	Full body subsill, Roadster Pickup cab	450.00 pr
A-131-AB	Cross sills, Roadster & Tudor	70.00 set
A-331-B	Cross sills, Coupe, 3 piece set	70.00 set
A-331-BF	Cross sill front, Pickup	50.00 ea
A-165-AB	Sill rear cross member, Coupe & Roadster	300.00 ea
A-465-AB	Sill rear crossmember, Tudor sedan	300.00 ea
A-1031-RB	Cab rear crossmember, Roadster pickup	175.00 set
A-831-B	Cab rear crossmember, Closed Pickup	100.00 ea

* Parts with price listed as "not.avbl" are not known to be available at this time, but are listed for reference.

1930-31 Coupe, Roadster, Tudor, Phaeton, and Pickup Body Repair Parts, cont

1928-31 Body Floor Panels



Under Seat Pan

A-335-A	Roadster & Phaeton (w/o side curtain), 28-28 Cpe	75.00	ea
A-127-A	Roadster & Phaeton, Side curtain storage pan	135.00	ea
A-335-B	Coupe, die stamped	125.00	ea
A-835-A	Pickup, 1928-29	125.00	ea
A-835-AR	Roadster pickup, 1928-29	125.00	ea
A-835-B	Pickup, Closed or Roadster, 1930-31	90.00	ea

Center Floor Panel

A-151-A	1928-29 Coupe, 1928-31 Roadster (rumble toe)	125.00	ea
A-351-B	1928-31 Coupe or Roadster, flat w/ribs	85.00	ea
A-551-M	Murray fordor	not.avbl	
A-727-A	1928 Early Phaeton, side curtain storage pan	135.00	ea

Trunk

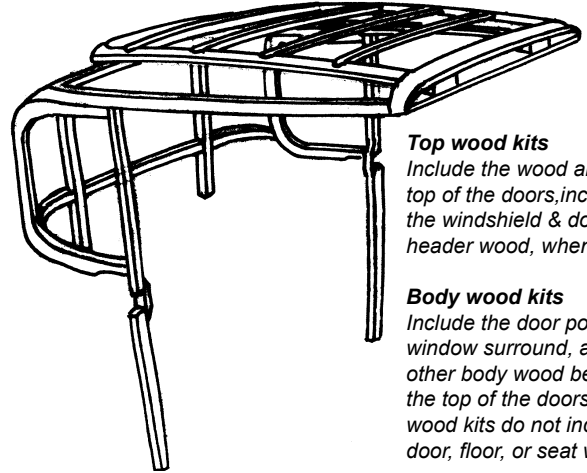
A-159-A	Trunk floor, Coupe and Roadster	125.00	ea
---------	---------------------------------	--------	----

Street Rod Flat floor kit

BN-281006	1930-31 Roadster & Tudor	350.00	kit
BN-281014	1930-31 Coupe	350.00	ea

Body Wood Kits and Brackets

Wood kits are manufactured from hardwood, usually oak.



Top wood kits

Include the wood above top of the doors, including the windshield & door header wood, when used.

Body wood kits

Include the door post, window surround, and any other body wood below the top of the doors. Body wood kits do not include door, floor, or seat wood.

Coupe:

AWD-1031	Top wood, 1930-31 Coupe	875.00	set
AWD-1288	Body wood, 1930-31 Coupe	900.00	set
A-47771-C	Top wood to header brackets, steel	90.00	pr
A-47772-R	Door header rail, RH	65.00	ea
A-47772-L	Door header rail, LH	65.00	ea
A-47778	Door header to top side rail bracket, RH, steel	20.00	ea
A-47779	Door header to top side rail bracket, LH, steel	20.00	ea
A-47780	Quarter side strap bracket, steel	22.50	ea
A-47781	Quarter wood support bracket, LH, steel	25.00	ea
A-47782	Quarter wood support bracket, RH, steel	25.00	ea
A-47783	Back window lower support bracket, steel	17.50	ea
A-47784	Back window upper bracket, LH, steel	22.50	ea
A-47785	Back window upper bracket, RH, steel	22.50	ea
A-47786	Rear main header connection bkt, LH, steel	150.00	ea
A-47787	Rear main header connection bkt, RH, steel	150.00	ea

Sport Coupe

AWD-1086	Top wood kit w/header (no belt rail)	1175.00	set
A-47771-SC	Top wood to header brackets, steel	70.00	pr
AWD-1295	Body wood kit (with belt rail)	850.00	ea

Tudor Sedan

AWD-1027	Top wood kit, 1930-31 Tudor	1175.00	set
A-47771-2D	Top wood to header brackets, steel	110.00	pr
AWD-1281	Body wood kit, 1930-31 Tudor	775.00	set

Closed Pickup Cab

AWD-1035	Top wood, 1930-31, cloth top	750.00	set
AWD-1036	Top wood, 1930-31, all steel top	625.00	set
A-47771-2D	Top wood to header brackets, steel	110.00	pr
AWD-1283	Body wood, 1930-31 Pickup	425.00	set

Roadster, Phaeton, & Roadster Pickup

AWD-1278	Roadster Body Wood	425.00	set
AWD-1278-S	Roadster Cockpit tackstrip, steam bent	275.00	ea
AWD-1290	4-Door Phaeton Body Wood	800.00	set
AWD-1289	2-Door Phaeton Body Wood (no door/sill)	1650.00	set
AWD-1289-DOOR	2-Door Phaeton Door Wood	1750.00	ea
AWD-1289-SILL	2-Door Phaeton Sill Wood	2050.00	ea
AWD-1298	Roadster Pickup Body Wood	180.00	ea

* Parts with price listed as "not.avbl" are not known to be available at this time, but are listed for reference.