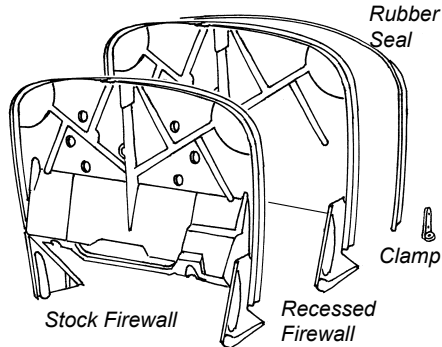


1932 Coupe, Roadster, Sedan, and Phaeton Body Repair Parts

1932 Firewall, inserts into body as original

Original design where the body clamps over the firewall. Uses original style rubber seal. Front lip on firewall accepts stock hood lacing. Fits original steel bodies

Use on fiberglass bodies is dependent on body accuracy and potential interference with installed reinforcing structures



B-35000-R	Recessed, w/lacing lip, steel	600.00 ea
B-35000-S	Stock style, w/ lacing lip, steel	1175.00 ea
B-114-M	Cowl side/firewall clamp brackets	175.00 ea
B-35336	Cowl to firewall rubber seal	15.00 ea

Street Rod Style Steel Floorboards for Stock Firewall

BN-321025	Steel front floorboard & trans hump	350.00 ea
-----------	-------------------------------------	-----------

1932 Front Floorboards, (Original type)

B-700325-AS	5 Wdo & Sedans, wood, original type	not.avbl
AH-3140	1932 Floorboard mount screws, 30 pcs	not.avbl
A-35130-S	Front floorboard to body seal, felt	15.00 ea
B-35190	Pedal & steering tube to floor seal, rubber	10.00 ea
B-35195	Transmission top to floor rubber pads	10.00 ea
B-35184	Bumpers for brake & clutch pedals	10.00 pr
B-35122	Pedal & column seal cover plates	22.50 ea

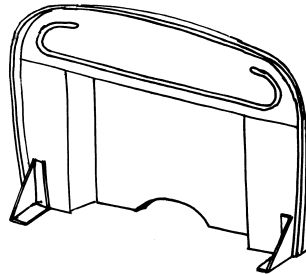
1932 Front Floorboards (for WESCOTT bodies)

Fits Wescott bodies with recessed firewall. Floorboard has transmission hump (big enough for TH-350/400) molded in.

FLB32WR	For Wescott bodies w/Recessed firewall	315.00 ea
---------	--	-----------

Street Rod Steel Firewall and Floorboards

Firewall welds into body on hood drain channel. Does not have original style hood lacing lip and stock hood lacing cannot be used. Setback is measured from cowl edge of body.



BN-321040	Smallblock firewall (1 3/4" setback)	425.00 ea
BN-321042	Bigblock firewall (4" setback)	425.00 ea
BN-321041	Steel front floorboard & trans hump (sm-bk)	350.00 ea
BN-321043	Steel front floorboard & trans hump (bg-bk)	350.00 ea

1932 3 Window Body Panels, Steel

Cowl Top, Windshield Header, and Roof

B-217	Cowl top, smooth	750.00 ea
B-217-V	Cowl top, with vent lid installed	1325.00 ea
B-2005	Cowl dash inner tie bar	475.00 ea
B-2005-EB	Cowl dash inner tie bar end brackets	150.00 pr
B-2005-UH	Windshield inner header	500.00 ea
B-219	Front roof panel	950.00 ea
B-267	Back window/rear roof panel	2500.00 ea
B-232-RW	Rear rolldown window drain box	125.00 ea

Body Side:

	RH		LH	
Cowl and Quarter	B-2051-RBS	4375.00 ea	B-2050-LBS	4375.00 ea
Windshield A Post assy	B-2010-A	625.00 ea	B-2011-A	625.00 ea
Cowl patch, 12" tall	B-114-3WFR	250.00 ea	B-114-3WFL	250.00 ea
B-2010-UB	Cowl panel braces			150.00 pr
B-114-3	Cowl patch panels, 6" tall			90.00 pr
B-239	Rocker panels			105.00 pr
B-250	Quarter patch panels, 6" tall			90.00 pr

Doors

	RH		LH	
Door outer patch (6")	B-236-R	70.00 ea	B-236-L	70.00 ea
Door inner panel	B-2045	2100.00 ea	B-2044	2100.00 ea
Door outer, smooth	B-2041-SM	1500.00 ea	B-2040-SM	1500.00 ea
Door outer, stock	B-2041-STK	not.avbl	B-2040-STK	not.avbl

Door opening

	RH		LH	
Front jamb upper	B-214-JUR	100.00 ea	B-214-JUL	100.00 ea
Front jamb lower	B-214-JLR	100.00 ea	B-214-JLL	100.00 ea
Hinge post	B-250-HPR	275.00 ea	B-250-HPL	275.00 ea
Header panel	B-239-UR	250.00 ea	B-239-UL	250.00 ea

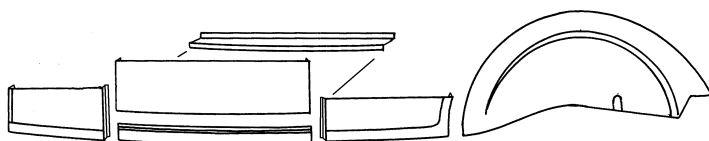
1932 3 Window Deck Lid and Opening

DL32W3	Deck lid, fiberglass	950.00 ea
B-2059-T	Deck lid outer panel, steel w/trunk handle hole	1100.00 ea
B-2059-OSM	Deck lid outer panel, steel, smooth	475.00 ea
B-2059-IS	Deck lid inner panel, steel	525.00 ea
B-263	Below deck panel, steel	325.00 ea
B-261-T	Below deck inner panel, steel	225.00 ea
B-260	Deck opening rear side triangle braces, steel	300.00 ea
B-266	Deck opening front braces to quarter, steel	175.00 ea
B-264	Lower drip channel, steel	95.00 ea

* Parts with price listed as "not.avbl" are not known to be available at this time, but are listed for reference.

1932 Coupe, Roadster, Sedan, and Phaeton Body Repair Parts, cont

1932 5 Window, Victoria, & Sedan Patch Panels, Steel



Cowl Top and Windshield Header & Roof (5 Window, Sedans, Victoria)

B-317-V	Cowl top with vent opening	750.00	ea
B-317-F	Cowl top, filled	725.00	ea
B-317-DB	Cowl top inner dash support cross brace	300.00	ea
B-317-WH	Windshield inner header brace	325.00	ea
B-319	Roof (stock) and rear window panel, 5 Window	1150.00	ea
B-319-F	Roof (filled) and rear window panel, 5 Window	1150.00	ea

	Body Side:		RH		LH
Cowl side w/wsh post	B-314-OR	675.00	ea	B-314-OL	675.00
Cowl hinge post	B-314-PR	325.00	ea	B-314-PL	325.00
Hinge post upper brace	B-314-UR	95.00	ea	B-314-UL	95.00
Hinge post lower brace	B-314-BR	100.00	ea	B-314-BL	100.00
B-314-UB	Cowl side upper to firewall brace				17.50
B-114	Cowl lower patch panels, 6"				100.00

	RH		LH
B-45765	Door shell (inner & outer) assembly, 5 Window, RH	2875.00	ea
B-45766	Door shell (inner & outer) assembly, 5 Window, LH	2875.00	ea
B-336-FULLR	Door outer skin, 5 Window, RH	1325.00	ea
B-336-FULLL	Door outer skin, 5 Window, LH	1325.00	ea
B-336	Door outer patch, 6", 5-Window coupe	70.00	pr
B-436	Door outer patch, 6", Tudor & Victoria	70.00	pr
B-336-IR/L	Door inner bottom patch, RH or LH, 5 Window	90.00	pr
B-436-IR/L	Door inner bottom patch, Tudor & Victoria: RH or LH	60.00	ea

Door Opening

B-339-UR	Door opening top cover, 5 Window, RH	185.00	ea
B-339-UL	Door opening top cover, 5 Window, LH	185.00	ea
B-339	Rocker panels, 5-Window coupe	105.00	pr
B-439	Rocker panels, Tudor & Victoria	105.00	pr

Drip Rails

B-47301-5W	5 Window, formed to shape	250.00	ea
B-47301-78	Straight length, 78", can be formed for Sedan/Vicky	150.00	ea

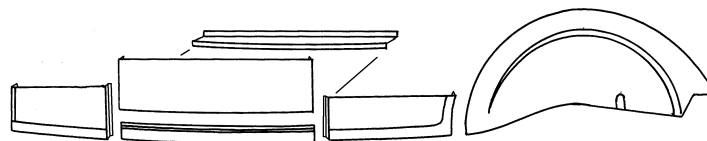
Quarter Panel:

	RH		LH
Quarter panel, 5W	B-350-FR	1725.00	ea
Window opening, 5W	B-350-QR	500.00	ea
Latch post, 5W	B-350-PR	325.00	ea
B-350-QWD	Quarter latch post to window diagonal brace, 5W	32.50	ea
B-350-QWBUR	Door header to rear window header wood brace, RH	22.50	ea
B-350-QWBUL	Door header to rear window header wood brace, LH	22.50	ea
B-350-QTBR	Door header to top wood brace, RH or LH	5.00	ea
B-350-PBI	Quarter latch post to floor inner braces, 5W & 2D	65.00	pr
B-350-PBT	Quarter latch post to floor triangle brace, 5W/2D	45.00	pr
B-350	Quarter lower patch panels, 6", 5-Window	90.00	pr
B-450	Quarter lower patch panels, 6", Tudor & Victoria	90.00	pr
B-181	Rear wheel well patch panels, 5 Window	225.00	pr
B-463	Rear body cross patch, Tudor & Fordor	225.00	ea

Rear Window Drain Tray and Regulator Mounting

B-332-RW	Rear rolldown window drain box	110.00	ea
B-47990-BR	Drain box mount bracket (replaces package tray)	60.00	ea
B-47990-MT	Regulator mounting plate, steel	32.50	ea

1932 Roadster & Phaeton Body Parts, steel



Cowl

B-114-BF	Cowl side panels, full height	700.00	pr
B-114	Cowl patch panels	100.00	pr
B-1010-UB	Cowl side panel upper braces	200.00	pr
B-1010-FB	Cowl side panel front braces	275.00	pr
B-1010-LB	Cowl side panel lower braces	200.00	pr
B-114-S	Cowl side panel front stiffener	100.00	pr
B-117	Cowl top panel, filled (w/o braces)	2675.00	ea
B-117-A	Cowl top panel, filled (w/braces)	3000.00	ea
B-117-C	Cowl top corner/door braces	225.00	pr
B-117-S	Cowl top front stiffener channel	125.00	ea
B-1005	Cowl top dash reinforcement bar	325.00	ea
B-1005-S	Cowl top/wsh post stiffener plates	45.00	pr
B-1011-UB	Upholstery brace on cowl	35.00	pr

Door Parts

Stamped Steel. These are good quality but do require expert bodywork for perfect fitting and before painting.

B-1040	Door outer skin, stock, (w/notch & bead), LH	700.00	ea
B-1041	Door outer skin, stock, (w/notch & bead), RH	700.00	ea
B-1040-SM	Door outer skin, smooth, LH	700.00	ea
B-1041-SM	Door outer skin, smooth, RH	700.00	ea
B-136	Door outer patch, 6" front doors	100.00	pr
B-1044	Door inner panel, LH	650.00	ea
B-1045	Door inner panel, RH	650.00	ea

Roadster Quarter Panels

B-139	Rocker panels, Roadster	105.00	pr
B-150	Quarter patch panels, Roadster	90.00	pr
B-181	Rear wheel well patch panels	225.00	pr
B-2050	LH quarter with all braces*	2100.00	ea
B-2051	RH quarter with all braces*	2100.00	ea
B-2052	Quarter panel front posts	300.00	pr
B-2053	Quarter panel front post lower braces	225.00	pr

**Note: These items shipped only by truck from Ohio*

Roadster Cockpit Opening Parts

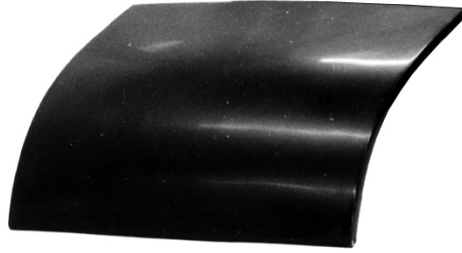
A-129-AB	Package tray, mounts to panel above deck	125.00	ea
A-125-B	Seat adjuster, mounts to package tray	100.00	ea

* Parts with price listed as "not.avbl" are not known to be available at this time, but are listed for reference.

1932 Coupe, Roadster, Sedan, and Phaeton Body Repair Parts, cont

Roadster, 5-Window coupe, and Cabriolet Deck Lids

Wescott's deck lids are constructed with fiberglass inner and outer panels glued together. We install internal steel support structures between the inner and outer panels which reinforce rumble and trunk hinge mounts, seat spring and trunk prop mounts.

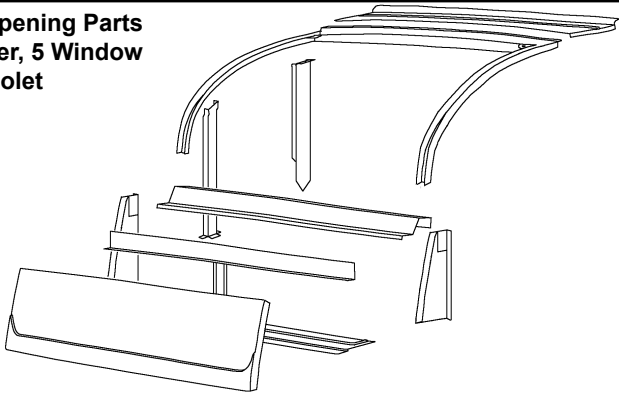


Steel deck lids are best fitted to the car before assembly.

DL32W5R	Deck lid, fiberglass, setup for stock latch	950.00	ea
DL32W5R-L	Deck lid, w/simulated louvers, fiberglass (stk)	950.00	ea
B-1059-OS	Rumble lid outer panel only, steel (w/hole)	475.00	ea
B-1059-OST	Trunk lid outer panel only, steel (w/hole)	475.00	ea
B-1059-OSM	Rumble or trunk outer panel, steel, no hole	475.00	ea
B-1059-IS	Deck lid inner panel only, steel	525.00	ea

Deck Opening Parts

Roadster, 5 Window & Cabriolet



Above Deck Lid Panel

B-167	Roadster	500.00	ea
B-367	5 Window	375.00	ea

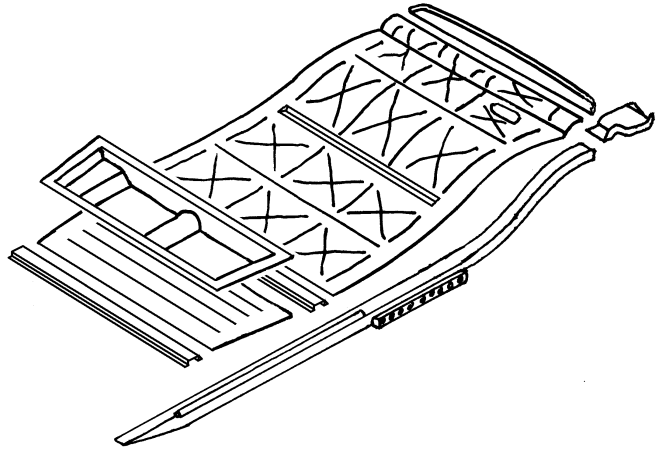
Back Panel

B-163	Roadster (w/o inner braces)	175.00	ea
B-363	5 Window (w/o inner braces)	175.00	ea
B-363-ASSY	5 Window (w/inner braces)	350.00	ea
B-663	Cabriolet (w/o inner braces)	175.00	ea
B-163-I	Back panel inner upper cross brace	100.00	ea
B-163-IV	Back panel inner vertical brace, roadster	70.00	ea

Deck Opening

	Roadster		5 Window	
Drip rails (top & sides)	B-169	450.00	set	B-169
				450.00
Drip rail, lower	B-164	95.00	ea	B-164
				95.00
Quarter braces, front	B-166	250.00	pr	B-366
				130.00
Rumble mount braces	B-162	250.00	pr	B-362
				185.00
Deck opening corners				B-360
				185.00

Body Sub Frame and Floor Repair Parts



Subframe

B-132-F	Subsills, Roadster (modify for 5 Window)	1250.00	pr
B-232-F	Subsills, 3 window	1750.00	pr
B-131	Cross channels, Coupe and Roadster	80.00	set
B-431	Cross channels, Sedans and Phaeton	95.00	set
B-132-SS	Cross channel to subrail reinforcement (4)	175.00	set
B-132-EXR	Body subrail rear extension, Road & 5W	225.00	pr
B-232-EXR	Body sub rail rear extension, 3 window	275.00	pr

Floor Panels

B-135-EXE	Under seat pan, drop style, stamped	450.00	ea
B-135	Under seat pan, drop style, fabricated	not.avbl	
BN-321077	Under seat pan, flat, with ribs	100.00	ea
B-155	Trunk floor, Roadster	425.00	ea
B-255	Trunk floor, without footwells, 3 Window	350.00	ea
B-161	Floor rear extension, Roadster & 5 Window	100.00	ea
B-261	Floor rear extension, 3 Window	225.00	ea

*Note: Trunk floors may require truck shipment.

Street Rod Steel Smooth 1932 Floorpan Kits

These kits provide a replacement for the floor from in front of seat back. Floor crosschannels, under seat pan, and rear floor sections are included (side sills NOT included). Rear floor is in multiple sections to allow UPS shipping.

BN-321080	3-Window Coupe	375.00	ea
BN-321085	5-Window Coupe, Roadster, Cabriolet	375.00	ea
BN-321088	Tudor Sedan	375.00	ea
BN-321090	Fordor Sedan	375.00	ea

Roadster Body Wood

Note: Many reproduction steel and fiberglass bodies do not have the correct shape of the back of cockpit

VWD-1232	Cockpit tackstrip, 3pc set, 1932 Roadster	275.00	ea
----------	---	--------	----

* Parts with price listed as "not.avbl" are not known to be available at this time, but are listed for reference.

1932 Coupe, Roadster, Sedan, and Phaeton Body Repair Parts, cont

3 Window Coupe Body Wood

VWD-32W3-QTRBR	Quarter support wood 32 3W	105.00	pr
VWD-32W3-ARM	Armrest former wood 32 3W	50.00	ea
VWD-32W3-DRSILL	Door garnish tack wood 32 3W	55.00	pr
VWD-32W3-DRSTRP	Door front wood strip 32 3W	30.00	pr
VWD-32W3-DRPST	Door post/header wood kit 32W3	1625.00	ea
VWD-32W3-DRPSTF	Door post filler wood 32W3	90.00	pr
VWD-32W3-PTBLK	Package tray block wood 32W3	40.00	ea
VWD-32W3-PT	Package tray wood 32 3W	150.00	ea
VWD-32W3-PTCV	Package tray curve strip 323W	40.00	pr
VWD-32W3-RWHEAD	Rear window header wood 32 W3	150.00	ea
VWD-32W3-RWPOST	Rear window post wood 32 W3	65.00	pr
VWD-32W3-RWCRNK	Rear window crank wood 32 W3	225.00	ea
VWD-32W3-RWCNR	Rear window corner wood 32 W3	32.50	pr
VWD-32W3-TOPFRM	Top wood surround frame 32 W3	575.00	ea
VWD-32W3-TOPRIB	Top wood ribs 32 W3	105.00	ea
VWD-32W3-TOPCNR	Top wood corner blocks 32 W3	32.50	ea
VWD-32W3-WSHD	Windshield Header wood 32 W3	100.00	ea

5 Window Coupe Body Wood

VWD-32W5-DRSTRP	Door front wood strip 32 5W	30.00	pr
VWD-32W5-DRPOST	Door post wood, 32 5W	375.00	pr
VWD-32W5-QTRWDO	Quarter window wood 32 5W	400.00	pr
VWD-32W5-QTRCNR	Quarter wdo corner wood 32 5W	60.00	pr
VWD-32W5-RWHEAD	Rear window header wood 32 5W	120.00	ea
VWD-32W5-RWPOST	Rear window post wood 32 5W	85.00	pr
VWD-32W5-RWFOOT	Rear window bottom wood 32 5W	45.00	ea
VWD-32W5-RWCNR	Rear window corner wood 32 5W	65.00	pr
VWD-32W5-PTSTR	Package tray wood strips 32 5W	40.00	ea
VWD-32W5-RCNRF	Rear metal cnr filler wd 32 5W	20.00	pr
VWD-32W5-DRHEAD	Door Header wood 32 5W	325.00	pr
VWD-32W5-WSH	Windshield header wood 32 5W/S	170.00	ea
VWD-32W5-TOPFRM	Top wood surround frame 32 5W	650.00	set
VWD-32W5-TOPRIB	Top wood ribs 32 5W	165.00	set
VWD-32W5-TOPCNR	Top wood corner blocks 32 5W	50.00	ea

Sport Coupe Body Wood

VWD-32SC-WSH	Wsh header wood 32 SptCpe	450.00	ea
VWD-32SC-DRHEAD	Door header wood 32 SptCpe	525.00	pr
VWD-32SC-DPPTK	Door post tack wood 32SptC	140.00	pr
VWD-32SC-BELT	Body belt rail wood 32 SptCpe	875.00	ea
VWD-32SC-TOPMID	Top middle bow 32 SptCpe	350.00	ea
VWD-32SC-TOPBK	Top rear bow 32 SptCpe	825.00	ea

Tudor Sedan Body Wood

VWD-32S2-TOP	Top surround frame and ribs	850.00	ea
VWD-32S2-POSTR	Door post wood, RH	not.avbl	
VWD-32S2-POSTL	Door post wood, LH	not.avbl	
VWD-32S2-DRHDR	Door header wood, RH	not.avbl	
VWD-32S2-DRHDL	Door header wood, LH	not.avbl	
VWD-32V-SILL	Door garnish tack wood 32 2D/V	32.50	pr
VWD-32S2-BWINDO	Back window frame	140.00	ea
VWD-32S4-DRFILL			

Fordor Sedan Body Wood

VWD-32S4-TOP	Top surround frame and ribs	not.avbl	
VWD-32S4-DRFILL	Doo post fillers	not.avbl	
VWD-32S2-BWINDO	Back window frame	140.00	ea
VWD-32S4-DRFILL			

Victoria Body Wood

VWD-32V-DRPOST	Door post wood 32 Vicky	550.00	set
VWD-32V-SWPOST	Side window post wood 32V	105.00	pr
VWD-32V-SWSTOP	Side window stop wood 32 V	22.50	pr
VWD-32V-SWLWR	Side window cross wood 32 V	60.00	pr
VWD-32V-SWREG	Side wdo regulator board 32V	350.00	pr
VWD-32V-SWSTRP	Side wdw reg board support 32V	195.00	pr
VWD-32V-RARM	Rear arm rest wood 32V/S	65.00	pr
VWD-32V-SWTRIM	Side wdo top trim wood 32 V	165.00	pr
VWD-32V-SILL	Door garnish tack wood 32 2D/V	32.50	pr
VWD-32V-DRHEAD	Door header wood 32 V	750.00	pr
VWD-32V-SRAIL	Side/rear rail support wd 32V	425.00	set
VWD-32V-RWDO	Rear window frame wood 32V	190.00	set
VWD-32V-RWDOC	Rear window corners 32V	45.00	set
VWD-32V-TPCVE	Top side curve wood 32V	60.00	set
VWD-32V-TOPFRM	Top surround wood 32V	1050.00	set
VWD-32V-TOPRIB	Top ribs wood 32V	225.00	set
VWD-32V-TOPDOME	Dome light block wood 32V	40.00	ea

Sedan Delivery Body Wood

VWD-32SD-TOP	Top surround frame and ribs	not.avbl	
--------------	-----------------------------	----------	--

* Parts with price listed as "not.avbl" are not known to be available at this time, but are listed for reference.