

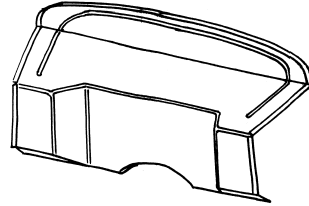
1935-36 Coupe, Roadster, Sedan, and Phaeton Body Repair Parts

1935-36 Passenger Front Floor (original type)

48-700325-S	1935 Front floorboards, wood	140.00 pr
68-700325-S	1936 Front floorboards, wood	not.avbl
68-700364/5	Front floorboard to body seal, rubber	not.avbl
AH-3141	1933-40 Floorboard mount screws, 28 pcs	not.avbl
AH-3143	1935-36 Trans cover mount screws, 22 pcs	not.avbl
48-700394	Pedal, dimmer, steering to floor seal, rubber	10.00 set
40-700382	1935 Transmission top to floor rubber pad set	10.00 ea
68-700382	1936 Transmission top to floor rubber pad	10.00 ea
48-700386	Bumpers for brake & clutch pedals	12.50 pr
48-35122	Pedal & column seal cover plate set	22.50 ea

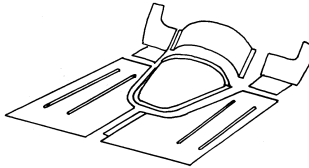
Street Rod Firewall and Front Floorboards

Firewall: Smallblock	
BN-351071	475.00 ea
Firewall: Bigblock	
BN-351010	475.00 ea

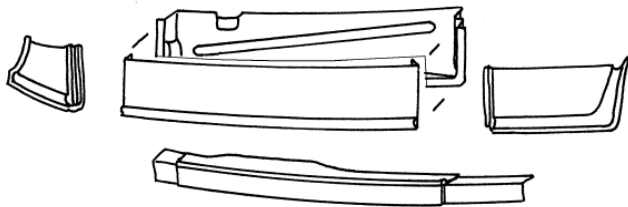


Front floor/transmission hump (use with original firewall)

BN-351077	350.00 ea
<i>use with smallblock firewall</i>	
BN-351073	350.00 ea
<i>use with bigblock firewall</i>	
BN-351014	350.00 ea



1935-36 Passenger Body Patch Panels, Steel



Cowl patch panels		
48-114	Passenger models	90.00 pr
Door outer patch panels (formed steel)		
48-236	3-Window coupe & Tudor sedan	72.50 pr
48-336	5-Window coupe & Roadster	not.avbl
Door outer and inner patch kit (die stamped)		
<i>includes inner and outer for one door</i>		
48-236-IOR	RH, 3 Window coupe, tudor sedan, cabriolet	225.00 ea
48-236-IOL	LH, 3 Window coupe, tudor sedan, cabriolet	225.00 ea
48-336-IOR	RH, 5 Window coupe, roadster, fordor ft door	225.00 ea
48-336-IOL	LH, 5 Window coupe, roadster, fordor ft door	225.00 ea
Quarter patch panels		
48-150	5-Window coupe & Roadster	90.00 pr
48-250	3-Window coupe & Tudor	90.00 pr
Rocker panel replacements		
48-239	Tudor & 3-Window (modify for 5 Window)	210.00 pr

Street Rod Wheelwells

<i>Steel, have extra room for tire</i>		
48-181-W	Coupes, Sedans, Convertibles	450.00 pr

Wescott's Deck Lids, Fiberglass

Wescott's deck lids are constructed with fiberglass inner and outer panels glued together. We install internal steel support structures between the inner and outer panels which reinforce rumble and trunk hinge mounts, seat spring and trunk prop mounts.



DL3536CR	Roadster, Coupe and Cabriolet	950.00 ea
----------	-------------------------------	-----------

Panel Below Deck Lid

Stamped Steel, good quality. Requires minor reshaping and fitting during installation.

Coupe, Roadster, Cabriolet:

48-725250	375.00 ea
-----------	-----------

Slantback Sedans

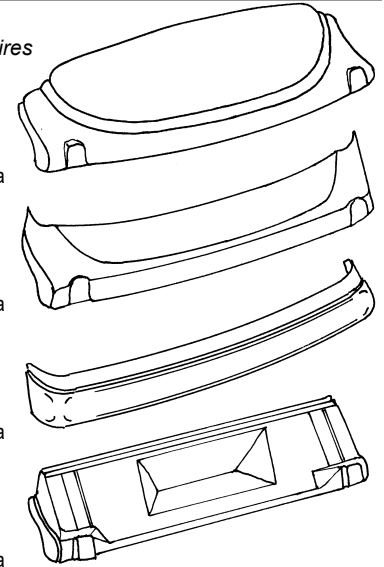
48-704058-A	350.00 ea
-------------	-----------

Humpback Sedans

48-704058-B	350.00 ea
-------------	-----------

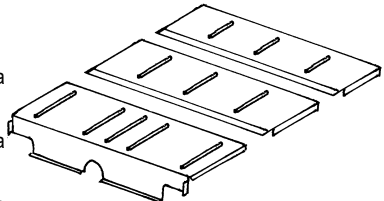
Inner Panel below Deck

48-725250-T	325.00 ea
-------------	-----------



Trunk Floor Parts

Trunk Riser:	
48-257	120.00 ea
Section behind riser	
48-255	95.00 ea
Rear extension (sedans only)	
48-255-S	95.00 ea

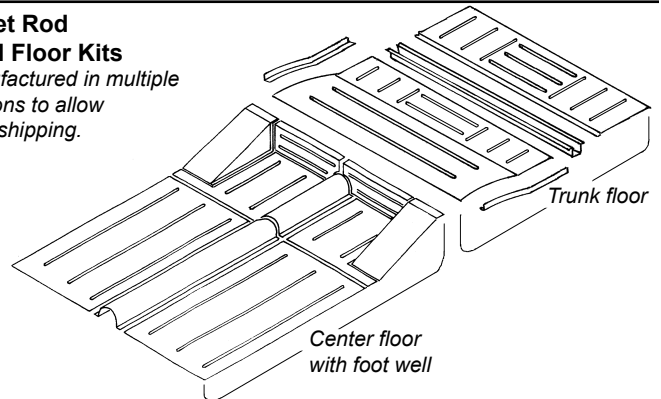


Street Rod Steel Floor Kits

Manufactured in multiple sections to allow UPS shipping.

BN-351049	Center floor, 59" from body mt*, Sedans	325.00 ea
BN-351050	Center floor, 68 1/2" from body mt*, Coupes	325.00 ea
BN-351085	Trunk floor, Sedans	375.00 kit
BN-351090	Trunk floor, Coupe, Roadster, Cabriolet	375.00 kit

*Measure from body bolt at hinge post to front of rear seat platform.



* Parts with price listed as "not.avbl" are not known to be available at this time, but are listed for reference.

1935-36 Coupe, Roadster, Sedan, and Phaeton Body Repair Parts, cont

Under Floor Stiffner Wood

VWD-35C-FLOOR 1935-36 Coupes, Sedans, Roadster, Phaeton not.avbl

Roadster and Phaeton Body Wood Parts

VWD-35R-DRPOST Door post wood 3536R not.avbl

VWD-35R-DOOR Door frame wood 3536RPH not.avbl

VWD-35R-COWL Cowl frame wood 3536RPH not.avbl

Coupe and Sedan Body Wood Parts

VWD-35S2-TOPRIB Top rib wood 3536 Tudor not.avbl

VWD-35W3-TOPRIB Top rib wood 3536 3 Window 225.00 set

VWD-35W3-PACK Package tray wood 3536 3W not.avbl

VWD-35S4-TOPRIB Top rib wood 3536 Fordor not.avbl

VWD-35W5-PACK Package tray wood 3536 5W not.avbl

VWD-35W5-TOPRIB Top rib wood 3536 5 Window 250.00 set

VWD-35C-DRPOST Door post filler wood 3536 Cpe not.avbl

VWD-35C-WSHFIL Wsh side filler wood 3536C/S not.avbl

Cabriolet & Convertible Sedan Body Wood Parts

VWD-35CB-WSHFIL Wsh side filler wood 3536Cabr not.avbl

VWD-35CB-PACK Package tray wood 3536 Cabr not.avbl

VWD-35CB-DRPOST Door post filler wood 3536Cabr not.avbl

VWD-35CVS-BELT Rear belt rail 3536CnvSdn 1375.00 ea

VWD-35CVS-RPTB Rear post tack blocks 3536CnvS 65.00 pr

VWD-35CVS-RPST Rear door post and dogleg wood 3536CnvS 750.00 pr

VWD-35CVS-CPST Center post wood 3536CnvS 160.00 pr

Sedan Delivery Body Wood Parts

VWD-35SD-FPOST Front door post wood 3539SD 675.00 pr

VWD-35SD-SPOSTM Side post middle wood 3539SD 105.00 pr

VWD-35SD-SPOSTR Side post rear wood 3539SD 250.00 pr

VWD-35SD-SCROSL Side cross lower wood 3539SD 90.00 pr

VWD-35SD-SCROSM Side cross middle wood 3539SD 125.00 pr

VWD-35SD-HEADU Side door header wood 3539SD 350.00 pr

VWD-35SD-RFFRAME R door jamb frame wood 3539SD 1900.00 set

VWD-35SD-RDOOR Rear door wood 3539SD 1750.00 ea

VWD-35SD-TOPRIB Top ribs, wood 3539SD not.avbl

* Parts with price listed as "not.avbl" are not known to be available at this time, but are listed for reference.