

1941-48 Ford & Mercury Grille, Hood, Fenders and Running Boards



1941 Ford



1941 Mercury

1941 Ford Hood Ornament

11A-8218-B	Hood ornament, chrome Plated	60.00 ea
11A-16606-A	Hood ornament "V8" emblem	55.00 ea
11A-16736	Hood center trim strip	not.avbl
11A-20003	Hood center trim strip bolts & clips (12)	7.50 ea

1941 Ford Passenger Grille

11A-8200	Center grille	not.avbl
11A-16034/5	Outer grille (in fender), Chrome	600.00 pr
11A-16034/5-R	Outer grille (in fender), Plain	not.avbl

1941 Mercury Hood Ornament and Grille

no parts available at this time

1942 Ford Hood Ornament and Grille

no parts available at this time

1942 Mercury Hood Ornament and Grille

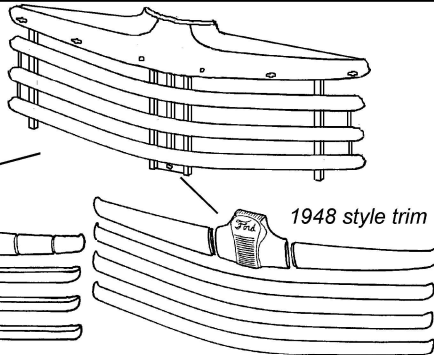
no parts available at this time

1946-48 Hood Ornaments

51A-16607	1946 Hood nose "8" emblem	50.00 ea
8RA-16606	1947-48 Hood nose "Super Deluxe 8"	75.00 ea
6A-16850	1947-48 Hood ornament, chrome plated	135.00 ea
6A-16607	1947-48 Hood ornament plastic insert	12.50 ea

1946-48 Ford Grille

1947 was a transition year and could use any mix of 1946 or 1948 parts



1946 style trim

51A-8200-A	1946-48 Inner grille, stamped steel	500.00 ea
51A-16046-K	Inner grille to front fender clips, set of 4	30.00 ea
Clamps the grille to the front fender and closes the gap between the grille frame and the fender.		
51A-8453	Grille vertical bars to bumper apron rubber pads, 4	5.00 set
51A-8170/1	1946-47 Upper grille trim, chrome, 3 pc set	400.00 pr
51A-8332	1946-47 Lower horizontal trim, stainless, 3 pc set	140.00 set
6A-8170/1	1947-48 Upper grille trim, chrome, 3 pc set	not.avbl
6A-8332	1947-48 Lower horizontal trim, stainless, 3 pc set	140.00 set

Radiator Shroud

51A-8327	Upper radiator shroud, 1946-48, stamped steel	90.00 ea
51A-8327-C	Upper radiator shroud, chrome steel, 46-48	120.00 ea
21A-8208-K	Radiator Shroud Rubber Seal, 1942-48, Lower	10.00 ea
21A-8327-K	Radiator Shroud Rubber Seal, 1942-48, Upper	7.50 ea

Grille to Frame Rubber Bumpers

21A-16188	Grille Apron to Frame Bumper Set, 1941-48	5.00 set
-----------	---	----------

1947-48 Passenger Front Apron Trim Clip Sets

6A-20001	Front splash apron clips (8 pcs)	5.00 set
----------	----------------------------------	----------

1946-48 Mercury Hood Ornament and Grille

no parts available at this time

Hood Hinges, Ford or Mercury

Hinge Brackets

21A-16796/7	Plain	40.00 pr
21A-16796/7-SS	Stainless	80.00 pr

Hood Hinge Shoulder Bolt

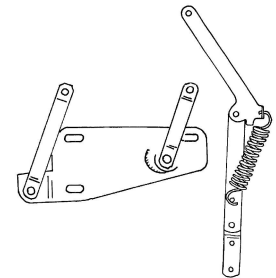
11A-16796-MB	Plain	4.00 ea
--------------	-------	---------

Hood Supports w/spring

91A-16782/3	Plain	55.00 pr
91A-16782/3-SS	Stainless	90.00 pr

Spring only (replacement):

91A-16789	Plain	7.50 ea
91A-16789-SS	Stainless	12.50 ea



Hood Lacing on Cowl

11A-16740-S	1941-48 Passenger, rubber, w/screws	10.00 ea
-------------	-------------------------------------	----------

Hood Rubber Bumper Set

11A-16761	1941-48 Passenger	15.00 kit
-----------	-------------------	-----------

Hood Catch Springs

11A-16897	1941 Passenger	12.50 ea
51A-16897	1946-48 Passenger	12.50 ea

* Parts with price listed as "not.avbl" are not known to be available at this time, but are listed for reference.

1941-48 Passenger Grille, Hood, Fenders and Running Boards, cont



1946 Ford



1948 Ford

1947 Mercury



1941 Fenders

not available at this time

1941 Ford front fenders were multiple piece, and split at the reveal line.

Early 1941 lower fenders were 2 piece, later one piece.

Ford and Mercury use the same shape rear fenders. Trim holes and taillight mounts differ between years and models.

1942-48 Fenders

not available at this time

1946 Ford used square parklight over grille, 1948 uses round parklight below headlight. 1947 could use either. Ford fenders had an extension between the fender and the hood over the grille.

Ford and Mercury use the same shape rear fenders. Trim holes and taillight mounts differ between years and models.

1941-48 Passenger Fender Brace Panels

11A-16094-A	1941 Front	90.00	pr
21A-16094	1942-48: Front	90.00	pr
21A-16341-A	1942-48: LH Rear	75.00	ea
11A-16340-A	1941-48: RH Rear	50.00	ea

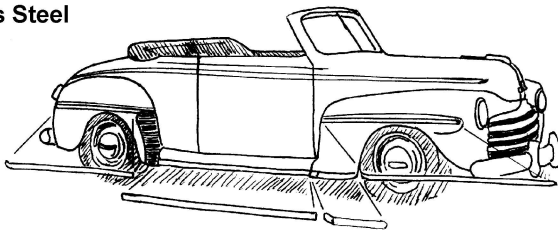
1941-48 Passenger Rear Fender Brace Seal

21A-8104-R	Sponge Rubber, enough for both fenders	10.00	ea
------------	--	-------	----

1941-48 Gas Fill Door Lid Spring & Bumpers

11A-16377-C	Fill lid spring	7.50	ea
11A-16378-A	Fill lid bumpers	2.00	pr

1947-48 Passenger Fender & Running Board Moldings, Stainless Steel



6A-16003	Front fender side molding: RH	60.00	ea
6A-16004	Front fender side molding: LH	60.00	ea
6A-16196-A	Rear fender side molding: RH	65.00	ea
6A-16197-A	Rear fender side molding: LH	65.00	ea
6A-16168/9	Front fender lower moldings (running board molding extensions)	65.00	pr
6A-16466-S	Running board side moldings (1942-48)	95.00	pr

1941-48 Fender Molding Bolt Sets

11A-20011	1941 Passenger	22.50	set
21A-20011	1942-46 Passenger	20.00	set
6A-20011	1947-48 Passenger	20.00	set

1941-47 Front Fender Emblems

11A-16079	1941-42 "Super Deluxe"	15.00	ea
51A-16079	1946-47 "Super Deluxe"	15.00	ea

1942-48 Rear Fender Gravel Guards

Steel with molded rubber cover.

Coupe, Sedan, Convertible:

51A-16349-AS	150	170.00	pr
--------------	-----	--------	----

Station Wagon:

51A-16349-BS	250	400.00	pr
--------------	-----	--------	----

Stainless: Coupe, Sedan Convertible

51A-16349-SS	160	225.00	pr
--------------	-----	--------	----



1941 Passenger Running Boards

RRB41P	RH, board, fiberglass w/molded ribs to look original	300.00	ea
LRB41P	LH, board, fiberglass w/molded ribs to look original	300.00	ea
11A-16450-SM	Boards, steel. Can be used smooth or w/covers	375.00	pr
11A-16450/1	Covers, molded rubber	225.00	pr

1942-48 Running Boards, Stamped Steel

21A-16450-SM	Boards, steel. Can be used smooth or w/covers	325.00	pr
21A-16450-SMW	Smoothie, widened for neat street rod look	not.avbl	
21A-16450/1	Covers, molded rubber	225.00	pr

1942-48 Running Board to Frame Grommet Sets

21A-16452-S	1942-48 Passenger	15.00	kit
-------------	-------------------	-------	-----

Fender Welt

Black vinyl, 25 ft. length

48-16070-B	3/16" bead	17.50	ea
48-16070-D	1/4" bead	17.50	ea

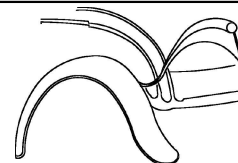
Vinyl, clad w/stainless bead, 8 ft. length

48-16070-SS	7/32" bead	22.50	ea
-------------	------------	-------	----

Vinyl, COLORED, Use part suffix to indicate color

Maroon: -MR, Caramel: -CR, Medium Blue: -BLM, Red: -RD, Dark Brown: -BRD, Dark Green: -GRD, White: -WH, Grey: -GY, Bright Orange: -OR, Yellow: -YL, Bright Red: -RR

48-16070-xx	25 ft length, Specify Color	40.00	ea
-------------	-----------------------------	-------	----



* Parts with price listed as "not.avbl" are not known to be available at this time, but are listed for reference.