

1929-31 Cabriolet & Fordor and Victoria Body Repair Parts

Cowl and Firewall Panels

1929 Fordor and Cabriolet cowl and firewall panels are unique to those bodies. 1930-31 Firewalls and cowl tops interchange with other 1930-31 body styles.

Patch Panels, Steel

A-514-A	Cowl Patch Panels, 1929	32.50	pr
A-114-B	Cowl patch panels, 1930 Fordor & Cabriolet	60.00	pr
A-114-V	Cowl patch panels, Victoria & 1931 Fordor/Cabriolet	70.00	ea
A-536-B	Door outer : 1929-30 (Murray body) Fordor Sedan no bead on bottom of door, set of 4	90.00	set
A-636-B	Door outer 1929-30 (Briggs) & 1931 Fordor Sedan with bead on bottom of door, set of 4	90.00	set
A-236-B	Door outer patch, Victoria & A-400	55.00	pr
A-236-IB	Door inner patch, Victoria & A-400	50.00	pr
A-581-AB1	Wheel well patch, 1929-30 Fordor sedan & Victoria	55.00	pr
A-170-ST	Body panel joint "T" strip, must form to fit	65.00	ea

1928-31 Wood Frame Body Door Sill Finish Bead

A metal strip that nails to the sill on the wood subframe bodies

A-132-W	1928-31 Fordors, Cabriolets, Victoria.	70.00	ea
---------	----------------------------------------	-------	----

Body Wood Kits and Metal Brackets

Wood kits are manufactured from hardwood, usually oak. Top wood kits include the wood above top of the doors, including the windshield & door header wood, when used. The body wood kits include the door post, window surround, and any other body wood below the top of the doors. Body wood kits do not include door, floor, or seat wood.

1929-30 Fordor Sedan:

AWD-1030-IA	Top wood, "Murray" Fordor Sedan	1900.00	ea
AWD-1030-IB	Body wood, "Murray" Fordor Sedan	3150.00	ea
AWD-1030-IC	Floor sill wood, "Murray" Fordor Sedan	1550.00	ea
AWD-1030-ID	Door wood, "Murray" Fordor Sedan	2350.00	ea

1931 Fordor Sedan (slant windshield)

AWD-MA	Top Wood Kit	900.00	set
AWD-MB	Body Wood Kit	675.00	set

Cabriolet

AWD-1292	Body wood kit, 1929-30 Cabriolet	675.00	ea
AWD-1292-SILLA	Sill wood, 1929-30 Cabriolet with adjustable seat	1550.00	ea
AWD-1292-SILLA	Sill wood, 1929-30 Cabriolet with fixed seat	1550.00	ea
AWD-1292-SILLA	Door wood, 1929-30 Cabriolet with adjustable seat	1550.00	ea
AWD-1292-DA	Door wood, 1929 (68A) Cabriolet	1300.00	ea
AWD-1292-DBW	Door wood, 1930 Cabriolet with wood window mount	1300.00	ea
AWD-1292-DBM	Door wood, 1930 Cabriolet with metal window mount	725.00	ea
AWD-1293	Body wood, 1931 Slant windshield cabriolet	700.00	set

Floor Sheetmetal Panels

A-559	Under front seat pan, fordor sedan	85.00	ea
A-551-M	Center pan, Murray fordor	160.00	ea
A-551-B	Center pan, Briggs fordor	160.00	ea
A-255-V	Under rear seat floor pan w/o hump, Vicky	100.00	ea
A-555-B	Under rear seat floor pan w/o hump, Briggs	160.00	ea
A-555-M	Under rear seat floor pan w/o hump, Murray	100.00	ea
A-458-AB	Under rear seat crossmember hump, sedans	40.00	ea

* Parts with price listed as "not.avbl" are not known to be available at this time, but are listed for reference.

1930-31 Coupe, Roadster, Tudor, Phaeton, and Pickup Body Repair Parts, cont

Cowl Top Panels

With dummy filler neck
CTT3031A fiberglass 250.00 ea



Smooth, no filler neck

CTT3031F fiberglass 250.00 ea
A-117-B steel 325.00 ea



With working cowl vent

Includes vent door, hinge ratchet, and spring:
CTT3031V fiberglass 650.00 ea

Original Style Firewall & Front Floorboards

FW3031S	Firewall, original style, fire retardant fiberglass	500.00 ea
A-1015-B	Firewall (original style), stamped steel	350.00 ea
A-1015-BO	Firewall (original style, no holes), steel	350.00 ea
A-35130-BS	Floorboards, wood	90.00 pr
AH-1122	Floorboard mount screws 12 pcs	5.00 set
A-35130-S	Front floorboard to body seal, felt	15.00 ea
A-35123-FP	Pedal & Steering tube seal, felt	5.00 ea
A-35122-S	Pedal & column seal cover plate set	7.50 ea
A-35245-B	Shift lever plate	7.50 ea
A-35245-CL	Shift lever plate clips	2.50 set

Tudor Sedan Rear and Center Wood Floorboards

A-34140-AS	Rear floorboard: 1928-29	65.00 ea
A-34140-BS	Rear floorboard: 1930-31	65.00 ea
A-34140-CS	Center floorboard: 1928-31	65.00 ea
AH-1122-B	Rear floorboard mount screws, 16 pcs	5.00 set

Minimum Recess Firewall, Fiberglass

Laminated using fire-retardant resin. Minimum recessed, designed to fit smallblock Chevy V8. Has clearance for HEI distributor. This firewall will keep more legroom in your car than any other recessed firewall.



Recessed firewall

FW3031R 500.00 ea

Firewall/trans cover

FLB31R 275.00 ea

Street Rod Steel Firewall & Floorboards

Smallblock - 3" setback

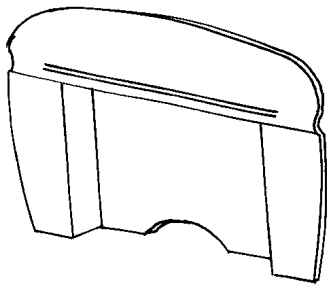
BN-301005 400.00 ea

Bigblock - 5" setback

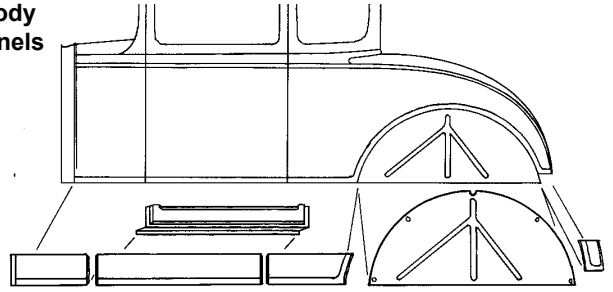
BN-301000 450.00 ea

**Front floorboard/
transmission hump**

BN-281005 190.00 ea

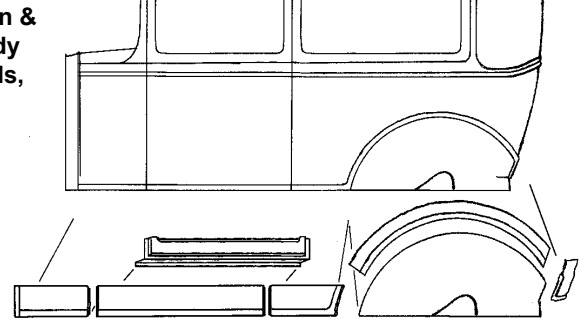


Coupe Body Patch Panels Steel



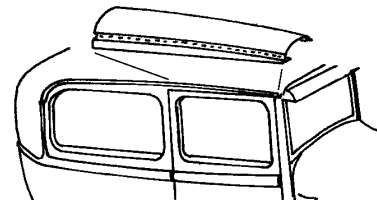
A-114-B	Cowl patch panels, All models	60.00 pr
A-336-B	Door outer patches, 6"	100.00 pr
A-336-BTR	Door outer patch, RH, 22" tall	95.00 ea
A-336-BTL	Door outer patch, LH, 22" tall	95.00 ea
A-336-IB	Door inner patches	50.00 pr
A-437-B	Door inside vertical window stop brace	25.00 ea
B-47301-78	Roof rain gutter straight length, 78" form to fit	105.00 ea
A-332-BRW	Roll down back window drain box	125.00 ea
A-350-B	Quarter patch panels	30.00 pr
A-381-AB	Wheel well patch panels	55.00 pr
A-170-B	Rear body corner patch panels	32.50 pr

Tudor Sedan & Pickup Body Patch Panels, Steel



A-114-B	Cowl patch panels, All models	60.00 pr
A-436-B	Door patch panels, 6" tall	100.00 pr
A-436-BTR	Door patch panel, RH, 22" tall	95.00 ea
A-436-BTL	Door patch panel, LH, 22" tall	95.00 ea
A-436-IB	Door inner patch panels	50.00 pr
A-437-B	Door inner vertical window rest brace	25.00 ea
A-438-B	Quarter inner window rest brace, tudor	not.avbl
A-450-B	Quarter patch panels, tudor	27.50 pr
A-481-AB	Wheel well patch, tudor sedan	55.00 pr
A-481-UR	Body bead above wheelwell, RH, tudor	85.00 ea
A-481-UL	Body bead above wheelwell, LH, tudor	85.00 ea
A-470-B	Body rear corners, tudor	37.50 pr
A-170-ST	Rear body panel joint "T" strip, steel	65.00 ea
A-870-B	Cab rear corners, pickup	32.50 pr
A-850-B	Back of cab patch (4' wide)	100.00 ea

Body Roof Panels Above Doors, Stamped Steel

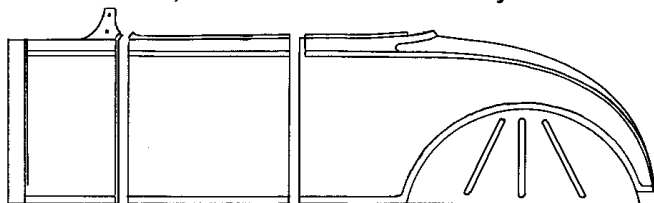


A-47776-R	Above Door Panel, RH, Tudor	180.00 ea
A-47776-L	Above Door Panel, LH, Tudor	180.00 ea
A-47776-PR	Above Door Panel, RH, Closed Pickup Cab	200.00 ea
A-47776-PL	Above Door Panel, LH, Closed Pickup Cab	200.00 ea

* Parts with price listed as "not.avbl" are not known to be available at this time, but are listed for reference.

1930-31 Coupe, Roadster, Tudor, Phaeton, and Pickup Body Repair Parts, cont

1930-31 Roadster, RPU & 4 door Phaeton Body Parts



Cowl

A-114-BF	Full cowl sides	350.00	pr
A-114-B	Cowl patch panels, 6"	60.00	pr
A-1010-BUB	Cowl panel brace, upper	100.00	pr
A-1010-BLC	Cowl panel brace, lower	100.00	pr
A-1010-BFD	Cowl panel brace, front	175.00	pr
A-1013-B	Cowl/Dash bar/Windshield corner tie bkts	325.00	pr
A-1005-B	Dash upper inner bar	175.00	ea

Door

Stamped Steel. These are good quality but do require expert bodywork for perfect fitting and before painting. We recommend fitting the inner panel to the body before installing outer skin.

A-1040-B	Door outer skin, stock, LH front	300.00	ea
A-1041-B	Door outer skin, stock, RH front	300.00	ea
A-1040-BR	Door outer skin, smooth, LH front	300.00	ea
A-1041-BR	Door outer skin, smooth, RH front	300.00	ea
A-136-B	Door outer patch, 6" Roadster	100.00	pr
A-736-B	Door outer patch, 6" 4 door phaeton	90.00	set
A-1044-B	Door inner panel, RH front	400.00	ea
A-1045-B	Door inner panel, LH front	400.00	ea

Roadster Quarters

A-2050-B	Quarter w/inner braces, LH, roadster*	875.00	ea
A-2051-B	Quarter w/inner braces, RH, roadster*	875.00	ea
A-150-B	Quarter panel patch, 6" tall	30.00	pr
A-181-AB	Wheel well patch panels, Roadster	55.00	pr
A-170-B	Quarter rear corner patch	32.50	pr

*Note: roadster quarter panels shipped only by truck from Ohio.

Phaeton Quarter and Seat Back

A-767-B	Front seat back, phaeton (needs bodywork)	300.00	ea
A-781-A	Wheel well patch panels, Phaeton (4 door)	55.00	pr
A-470-B	Rear body corner patch, Phaeton (4 door)	37.50	pr
A-170-ST	Body panel joint "T" strip	65.00	ea

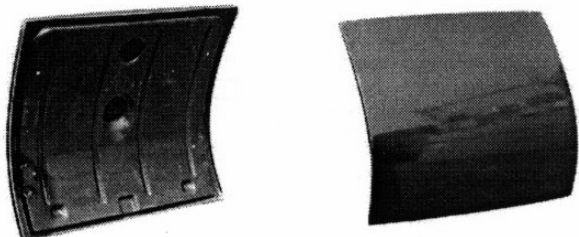
Roadster Pickup Cab Back & Quarters

A-877-B	1930-31 Cab back & quarter panel	875.00	ea
A-877-BBR	1930-31 Braces for cab back	225.00	ea

Coupe, Roadster & Cabriolet Deck Lid

Wescott fiberglass deck lid

Fiberglass inner and outer panels with steel reinforcing. Steel provides secure mounting for hinges, trunk prop, and rumble seat.



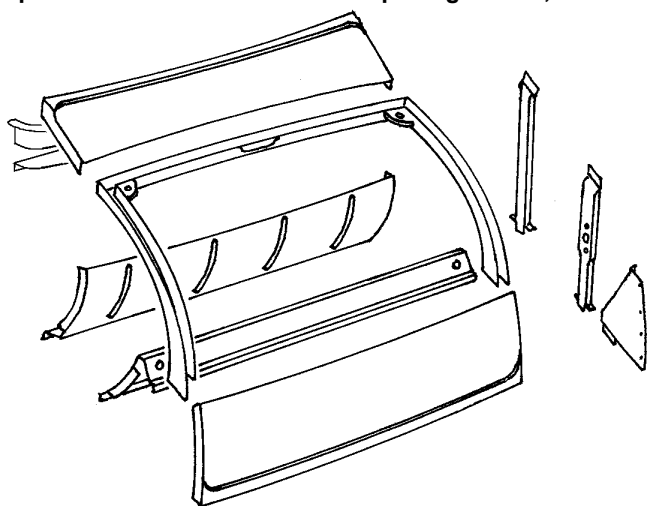
DL3031CR	Deck lid set up for stock latch	850.00	ea
DL3031CR-REM	Deck lid set up for remote latch striker	850.00	ea

Steel replacement deck lid panels

Stamped steel, good quality. These require some bodywork and are best fitted to body before fitting inner and outer panels together

A-1059-ABS	Outer skin, no handle hole	300.00	ea
A-1059-BIS	Inner panel	325.00	ea

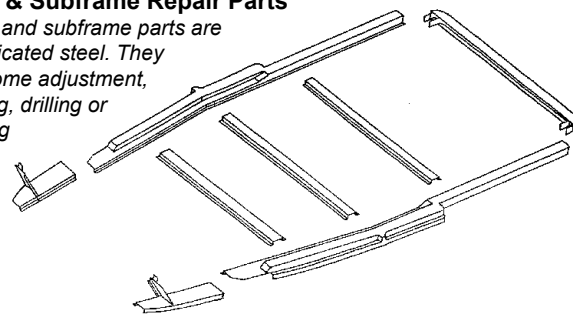
Coupe Roadster & Cabriolet Deck Opening Panels, Steel



A-167-B	Panel above deck lid, roadster	250.00	ea
A-367-B	Panel above deck lid patch, coupe	65.00	ea
A-129-AB	Package tray (front above deck), roadster	100.00	ea
A-125-B	Seat adjuster (front above deck), roadster	75.00	ea
A-169-B	Deck top and side drip channels	300.00	set
A-166-B	Deck upper gutter brace	75.00	pr
A-162-B	Rumble hinge mount brace	75.00	pr
A-160-AB	Rear corner triangle bracket	100.00	pr
A-163-B	Panel below deck lid, roadster	100.00	ea
A-663-AB	Panel below deck lid, cabriolet	70.00	ea
A-161-A	Inner panel below deck, rumble seat cars	100.00	ea
A-161-T	Inner panel below deck, trunk lid gutter	75.00	ea

Body Floor & Subframe Repair Parts

All body floor and subframe parts are stamped/fabricated steel. They will require some adjustment, metal finishing, drilling or welding during installation.

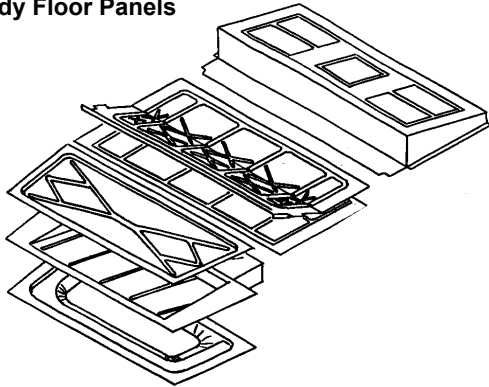


A-132-XB	Front sill extensions (floorboard support)	325.00	set
A-132-BF	Full body subsill, Roadster	350.00	pr
A-132-B	Half (rear of door back) subsill, Roadster	275.00	pr
A-332-BF	Full body subsill, Coupe	350.00	pr
A-332-B	Half (rear of door back) subsill, Coupe	275.00	pr
A-432-BF	Full body subsill, Tudor, shorten for Pickup	350.00	pr
A-432-B	Half (rear of door back) subsill, Tudor	275.00	pr
A-1032-BF	Full body subsill, Roadster Pickup cab	350.00	pr
A-131-AB	Cross sills, Roadster & Tudor	70.00	set
A-331-B	Cross sills, Coupe, 3 piece set	70.00	set
A-165-AB	Sill rear cross member, Coupe & Roadster	250.00	ea
A-465-AB	Sill rear crossmember, Tudor sedan	250.00	ea
A-1031-RB	Cab rear crossmember, Roadster pickup	150.00	set
A-831-B	Cab rear crossmember, Closed Pickup	100.00	ea

* Parts with price listed as "not.avbl" are not known to be available at this time, but are listed for reference.

1930-31 Coupe, Roadster, Tudor, Phaeton, and Pickup Body Repair Parts, cont

1928-31 Body Floor Panels



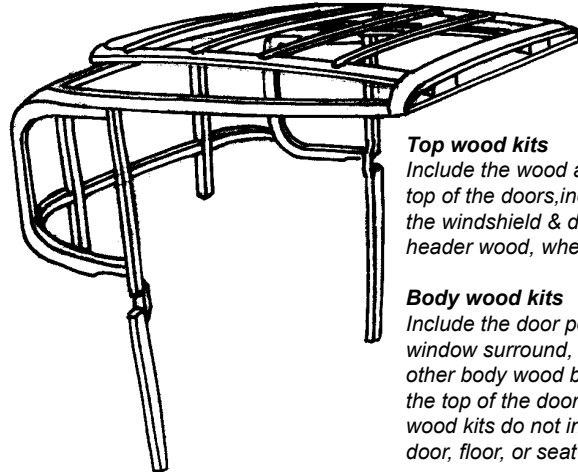
A-335-A	Under seat, Closed & Roadster PU Roadster & Phaeton (w/o side curtain)	75.00 ea
A-127-A	Side curtain pan, Roadster & Phaeton	125.00 ea
A-335-B	Coupe, die stamped	100.00 ea
A-151-A	Center pan (rumble toe), Coupe & Roadster	100.00 ea
A-351-B	Center pan, flat, Coupe	75.00 ea
A-551-M	Center pan, Murray fordor	160.00 ea
A-159-A	Trunk floor, Coupe and Roadster	125.00 ea
A-455-A	Under rear seat floor pan w/o hump, Tudor	100.00 ea
A-458-AB	Under rear seat crossmember hump, sedans	40.00 ea

Street Rod Flat floor kit

BN-281006	1930-31 Roadster & Tudor	350.00 kit
BN-281014	1930-31 Coupe	350.00 ea

Body Wood Kits and Brackets

Wood kits are manufactured from hardwood, usually oak.



Top wood kits

Include the wood above top of the doors, including the windshield & door header wood, when used.

Body wood kits

Include the door post, window surround, and any other body wood below the top of the doors. Body wood kits do not include door, floor, or seat wood.

Coupe:

AWD-1031	Top wood, 1930-31 Coupe	675.00 set
AWD-1288	Body wood, 1930-31 Coupe	675.00 set
A-47771-C	Top wood to header brackets, steel	80.00 pr
A-47772-R	Door header rail, RH	50.00 ea
A-47772-L	Door header rail, LH	50.00 ea
A-47778	Door header to top side rail bracket, RH, steel	17.50 ea
A-47779	Door header to top side rail bracket, LH, steel	17.50 ea
A-47780	Quarter side strap bracket, steel	20.00 ea
A-47781	Quarter wood support bracket, LH, steel	20.00 ea
A-47782	Quarter wood support bracket, RH, steel	20.00 ea
A-47783	Back window lower support bracket, steel	12.50 ea
A-47784	Back window upper bracket, LH, steel	17.50 ea
A-47785	Back window upper bracket, RH, steel	17.50 ea
A-47786	Rear main header connection bkt, LH, steel	140.00 ea
A-47787	Rear main header connection bkt, RH, steel	140.00 ea

Sport Coupe

AWD-1086	Top wood kit w/header (no belt rail)	875.00 set
A-47771-SC	Top wood to header brackets, steel	60.00 pr
AWD-1295	Body wood kit (with belt rail)	625.00 ea

Tudor Sedan

AWD-1027	Top wood kit, 1930-31 Tudor	875.00 set
A-47771-2D	Top wood to header brackets, steel	95.00 pr
AWD-1281	Body wood kit, 1930-31 Tudor	575.00 set

Closed Pickup Cab

AWD-1035	Top wood, 1930-31, cloth top	575.00 set
AWD-1036	Top wood, 1930-31, all steel top	475.00 set
A-47771-2D	Top wood to header brackets, steel	95.00 pr
AWD-1283	Body wood, 1930-31 Pickup	350.00 set

Roadster, Phaeton, & Roadster Pickup

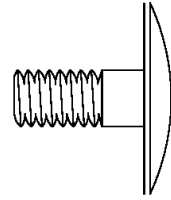
AWD-1278	Roadster Body Wood	350.00 set
AWD-1278-S	Roadster Cockpit tackstrip, steam bent	275.00 ea
AWD-1290	4-Door Phaeton Body Wood	600.00 set
AWD-1289	2-Door Phaeton Body Wood (no door/sill)	1250.00 set
AWD-1289-DOOR	2-Door Phaeton Door Wood	1300.00 ea
AWD-1289-SILL	2-Door Phaeton Sill Wood	1550.00 ea
AWD-1298	Roadster Pickup Body Wood	145.00 ea

* Parts with price listed as "not.avbl" are not known to be available at this time, but are listed for reference.

Special Hardware

Rear Wheelwell Fender Studs

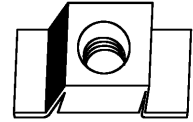
These are the large head studs that weld into the wheelwell for rear fender mounting on 1928-32 Passenger cars and 1932-47 Pickup boxes.



AH-1173	Set of 4	2.50	set
---------	----------	------	-----

Cage Nuts

A nut in a sheetmetal cage to weld or braze into the body.



AH-3145-B	43834	1.50	ea
AH-3145	45428	1.50	ea
AH-3145-D	45359	5.00	ea
AH-3145-E	41276	2.50	ea

Capped nuts for exposed wood

Stainless Steel, used extensively on station wagons

AH-352353-SF	5/16-24, .75 cap dia, .35 thread depth	3.00	ea
AH-352353-LL	5/16-18, .75 cap dia, .60 thread depth	3.00	ea
AH-352353-SS	5/16-18, .75 cap dia, .35 thread depth	3.00	ea
AH-352353-SC	3/8-24, .90 cap dia, .60 thread depth	3.00	ea

"D" Nuts

These are the special D shaped clinch nuts used extensively on Ford bodies. They are inserted into their hole and the flange is peened down to rivet them into the hole.



AH-1123-A	11963	0.50	ea
AH-1123	40901	0.50	ea
AH-1123-B	43834	1.00	ea
AH-1123-D	45428	2.50	ea
AH-1123-C	45359	2.50	ea
AH-1123-E	44028	2.50	ea

Body Nails

.074 dia x 3/4", .165 dia, Oval head, straight shank

AH-0003-C	100 qty	1.50	ea
AH-0003-5C	500 qty	7.50	ea

.085 dia x 7/8", .165 dia, flat head, twist shank

AH-0004-C	100 qty	2.00	ea
AH-0004-5C	500 qty	12.50	ea

Body Insulation

HR-700770	Heavy duty foil backed jute 36" x 48"	30.00	ea
-----------	---------------------------------------	-------	----

* Parts with price listed as "not.avbl" are not known to be available at this time, but are listed for reference.