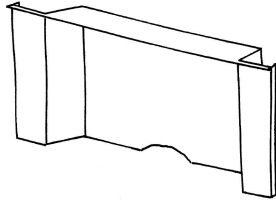


1948-56 Pickup Body Repair Parts

Street Rod Firewall and Front Floorboards



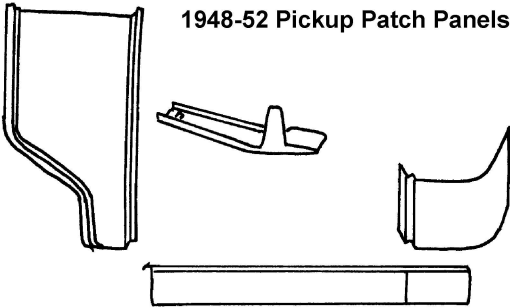
Fabricated steel

BN-481000	1948-52 Firewall: Smallblock	450.00 ea
BN-481002	1948-52 Floorboard kit	350.00 ea
BN-531000	1953-56 Firewall: Smallblock	525.00 ea
BN-531002	1953-56 Floorboard kit	350.00 ea

Transmission cover and floor

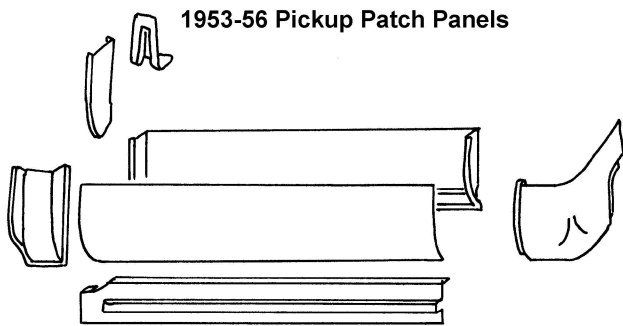
7C-700378	1948-52 Transmission cover, stock	125.00 ea
7C-700378-T	1948-52 Transmission cover, extra tall	165.00 ea
BAAA-700378-T	1953-56 Transmission cover, extra tall	165.00 ea

1948-52 Pickup Patch Panels



7C-114-R	Cowl patch panel, RH	55.00 ea
7C-114-L	Cowl patch panel, LH	55.00 ea
7C-114-I	Cowl inner panel (body mount)	55.00 pr
7C-114-H	Cowl hinge post patch	55.00 pr
8C-8110110-PR	Cab sill panels	40.00 pr
7C-8140302-PR	Cab corner patch	90.00 pr
7C-8111105	Floor panel in front of seat	200.00 ea

1953-56 Pickup Patch Panels



BAAA-8102054-PR	Cowl patch panels	125.00 pr
BAAA-8102056-PR	Front body mounts	60.00 pr
BAAA-8102042-PR	Door pillar replacement (w/hinge pocket)	100.00 pr
BAAA-8120200-PR	Door outer patch panels	110.00 pr
BAAA-8120124-PR	Door inner patch panels	90.00 pr
BAAA-8110110-PR	Rocker panels	100.00 pr
BAAA-8140302-PR	Cab corner patches	100.00 pr
BAAA-8110112-PR	Cab to running board seal retaining channel	17.50 pr

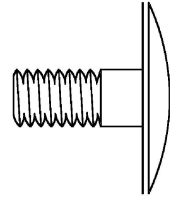
1953-56 Floor

BAAA-839-FL	Cab front floor LH, 1953-55	100.00 ea
BAAA-839-FR	Cab front floor RH, 1953-55	100.00 ea
B6C-839-FL	Cab front floor LH, 1956	100.00 ea
B6C-839-FR	Cab front floor RH, 1956	100.00 ea
B6C-839-BHC	Battery hole cover plate 1956	25.00 ea

Special Hardware

Rear Wheelwell Fender Studs

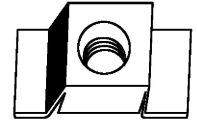
These are the large head studs that weld into the wheelwell for rear fender mounting on 1928-32 Passenger cars and 1932-47 Pickup boxes.



AH-1173	Set of 4	2.50 set
---------	----------	----------

Cage Nuts

A nut in a sheetmetal cage to weld or braze into the body.



AH-3145-B	43834	1.50 ea
AH-3145	45428	1.50 ea
AH-3145-D	45359	2.50 ea
AH-3145-E	41276	2.50 ea

Capped nuts for exposed wood

Stainless Steel, used extensively on station wagons

AH-352353-SF	5/16-24, .75 cap dia, .35 thread depth	3.00 ea
AH-352353-LL	5/16-18, .75 cap dia, .60 thread depth	3.00 ea
AH-352353-SS	5/16-18, .75 cap dia, .35 thread depth	3.00 ea
AH-352353-SC	3/8-24, .90 cap dia, .60 thread depth	3.00 ea

"D" Nuts

These are the special D shaped clinch nuts used extensively on Ford bodies. They are inserted into their hole and the flange is peened down to rivet them into the hole.



AH-1123-A	11963	0.50 ea
AH-1123	40901	0.50 ea
AH-1123-B	43834	1.00 ea
AH-1123-D	45428	2.50 ea
AH-1123-C	45359	2.50 ea
AH-1123-E	44028	2.50 ea

Body Nails

.074 dia x 3/4", .165 dia, Oval head, straight shank

AH-0003-C	100 qty	1.50 ea
AH-0003-5C	500 qty	7.50 ea

.085 dia x 7/8", .165 dia, flat head, twist shank

AH-0004-C	100 qty	1.50 ea
AH-0004-5C	500 qty	7.50 ea

Body Insulation

HR-700770	Heavy duty foil backed jute 36" x 48"	30.00 ea
-----------	---------------------------------------	----------

* Parts with price listed as "not.avbl" are not known to be available at this time, but are listed for reference.