

**1926-31 Coupe, Sedan, Victoria, Cabriolet and Pickup Windshield and Top**

**Windshield Group: 1926-27**

**Visor Frame**

(open, cover with top fabric)  
T-45499 150.00 ea

**Windshield Header**

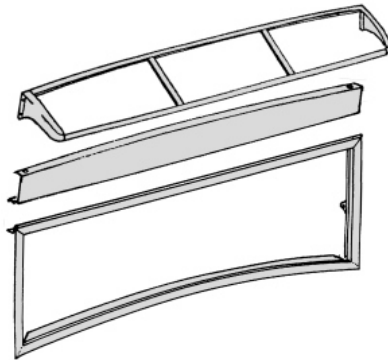
Open Back (wood frame body)  
T-370 not.avbl

Boxed back (steel frame body)  
T-370-B not.avbl

**Windshield Frame Kit**

Extruded aluminum. Includes top hinge, frame to body gasket, and swing arm mount brackets.

T-45410 Unpolished 425.00 ea  
T-45410-P Polished 650.00 ea



**Windshield Group: 1928-29 Coupe & Tudor & Fordor**

**Top to Visor Filler, Tudor and Coupe**

Fiberglass  
BWO2829UV 170.00 ea

**Visor, steel, Tudor and Coupe**

A-45499-AR 100.00 ea

**Header, steel, Tudor & Coupe**

A-370-A 90.00 ea

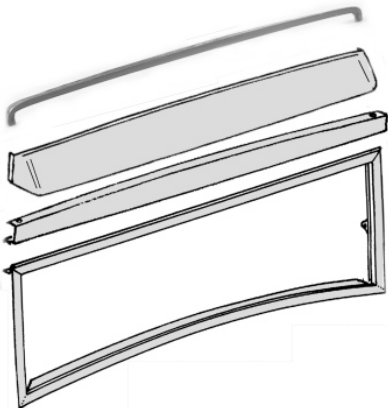
**Header, steel, 1929 Fordor**

A-570-A 90.00 ea

**Windshield Frame Kit**

Excellent quality extruded aluminum. Includes the top hinge, the frame to body gasket, and brackets for mounting swing arms.

A-45410-A Unpolished 425.00 ea  
A-45410-AP Polished 700.00 ea



**Windshield Group: 1928-29 Pickup**

**Visor Frame, steel**

(frame only, cover with top fabric)  
T-45499 150.00 ea

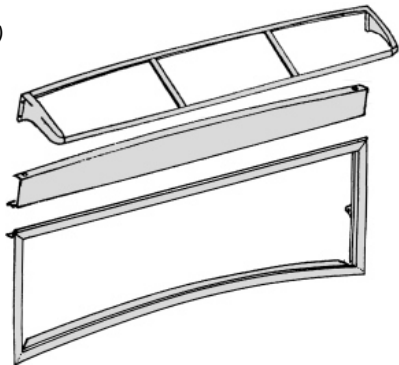
**Header, steel**

A-870-A not.avbl

**Windshield Frame Kit**

Excellent quality extruded aluminum. Includes the top hinge, the frame to body gasket, and brackets for mounting swing arms.

A-45410-A Unpolished 425.00 ea  
A-45410-AP Polished 700.00 ea



**Windshield Group: 1930-31 Coupe, Tudor, Pickup 1930 Cabriolet and Fordor**

A-45499-B	Visor, steel	175.00 ea
BWO3031V	Visor, fiberglass	230.00 ea
A-171-B	Header cover, 2" tall, coupes, steel	85.00 ea
A-471-B	Header cover, 3" tall, tudor & pickup, steel	85.00 ea
BWO3031USW	Header cover, Station wagon, fiberglass	230.00 ea

**Windshield Frame Kit**

Excellent quality extruded aluminum. Includes the top hinge, the frame to body gasket, and brackets for mounting swing arms.

**Unpolished**

A-45410-B 425.00 ea

**Polished**

A-45410-BP 700.00 ea

**Cowl to Windshield Filler**

Fiberglass  
BWO3031L 170.00 ea

**Windshield Group: 1930-31 Victoria**

**1931 Slant Fordor & Cabriolet**

**Windshield Frame Kit**

Excellent quality extruded aluminum. Includes the top hinge, the frame to body gasket, and brackets for mounting swing arms.

**Unpolished**

A-45410-E 425.00 ea

**Polished**

A-45410-EP 700.00 ea

**Cowl to Windshield Filler**

BWO3031LV fiberglass 170.00 ea

**Windshield Glass to Frame Setting Tape**

B-37193-A	All years, 20 ft, 1/32" thick	17.50 ea
B-37193-B	All years, 20 ft, 3/64" thick	17.50 ea
B-37193-C	All years, 20 ft, 1/16" thick	25.00 ea
B-37193-D	All years, 20 ft, 5/64" thick	30.00 ea

**Windshield Frame to Body Seal, Rubber**

A-45504	Sides and bottom seal, fit steel frames	10.00 ea
A-79501	Sides and bottom seal, fit aluminum frames	12.50 ea
A-79550	Windshield Frame to Header Seal, Rubber	10.00 ea

**Windshield Frame to Body Screw Sets**

A-45410-MA	1928-29 Closed car & Pickup	7.50 set
A-45410-MB	1930-31 Closed car & Pickup	7.50 set

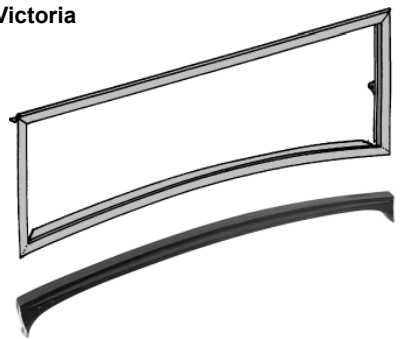
**Windshield Frame Screws**

These hold the windshield halves together. New screws should be used when windshield glass is replaced.

A-45410-IS 1926-31 Closed car, 1928-34 Pickup, set of 4 5.00 set

**Traffic signal finder prism**

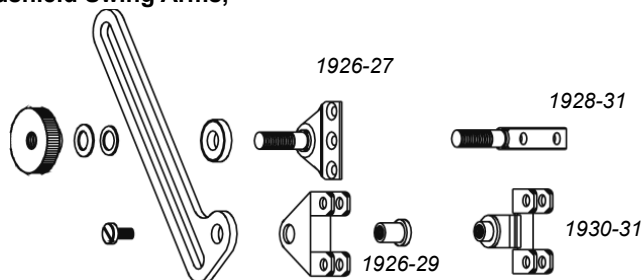
A-18300 Any year 10.00 ea



\* Parts with price listed as "not.avbl" are not known to be available at this time, but are listed for reference.

## 1926-31 Coupe, Sedan, Victoria, Cabriolet and Pickup Windshield and Top, cont

### Windshield Swing Arms,



A-45463-BS	Swing arms, stock height, chrome	17.50 pr
A-45463-CS	Swing arms, 2" chop, stainless	75.00 pr
A-45482-S	Knobs, chrome	20.00 pr
A-45477-S	Clamp Washers, Chrome w/fiber insert	5.00 pr
A-45483	Spring Washers	5.00 pr
A-45471-A	Mt bkt on frame, 1926-29	10.00 ea
A-45471-B	Mt bkt on frame, 1930-31 Coupe/Tudor/PU	10.00 ea
A-45471-E	Mt bkt on frame, 1930-31 Victoria/4d	20.00 ea
A-45475-S	Mounting Screw to Bracket with sleeve nut	5.00 pr
T-45439	Stud on body, 1926-27	not.avbl
A-45439	Stud to body, 1928-31	25.00 ea

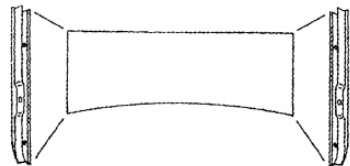
### Closed Car Windshield Windwing Brackets, Chrome

*Mounts to door on any straight windshield car.*

A-18200-C	1926-31 All Closed Cars	75.00 ea
-----------	-------------------------	----------

### 1928-29 Windshield Side

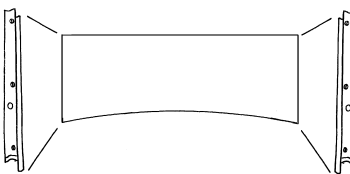
#### Garnish Moldings Stamped steel, plain



<b>Coupe &amp; Tudor sedan</b>		
A-46106-AS	50.00 pr	
<b>Pickup</b>		
A-46106-PU	75.00 ea	

### 1930-31 Coupe, Tudor, Pickup

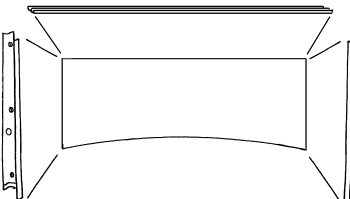
#### Windshield Side Garnish Moldings Stamped steel, plain



A-46106-BS	50.00 pr
A-46106-BSS	60.00 pr

### 1930-31 Victoria, 1931 Fordor

#### Windshield Garnish Moldings

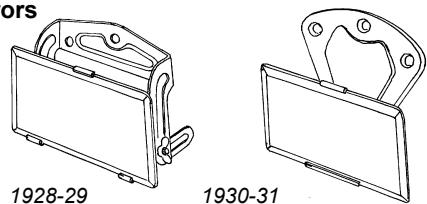


<b>Upholstery Retainer Above Windshield</b>		
A-542	195.00 ea	

#### Side Garnish Moldings:

A-46106-V	90.00 pr
-----------	----------

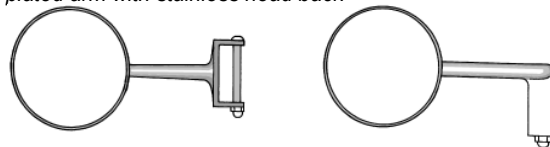
### Windshield Center Mirrors



A-17682-A	1926-29 Closed & Cabriolet w/black bracket	60.00 ea
A-17682-B	1930-31 Closed & Cabriolet w/black bracket	50.00 ea
A-17682-C	1930-31 Closed & Cabriolet w/chrome bracket	45.00 ea

### Door Hinge Mirrors

*Chrome plated arm with stainless head back*



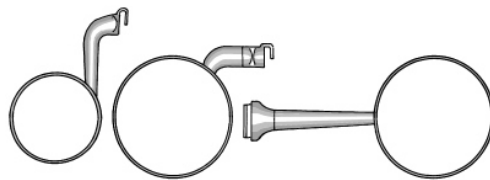
A-17741-AR	1926-29 Coupe, Sedan, & Pickup, RH or LH	45.00 ea
A-17741-BR	1930-31 Coupe, Sedan, & Pickup, RH	50.00 ea
A-17741-BL	1930-31 Coupe, Sedan, & Pickup, LH	50.00 ea

### Replacement Mirror Head

B-17741-MH	Replacement head with flat glass	22.50 ea
B-17741-MHC	Replacement head with convex glass	20.00 ea

### Peep Mirrors,

*Chrome Plated  
Clamps to edge  
of door.*



78-18414-PR	3" dia, angled arm, RH	27.50 ea
78-18414-PL	3" dia, angled arm, LH	27.50 ea
B-18414-R	4" dia, angled arm, RH	27.50 ea
B-18414-L	4" dia, angled arm, LH	27.50 ea
A-17741-U	4" dia, straight arm, RH or LH	27.50 ea

### Swan Neck Mirror

*4"chrome head, 6"curved aluminum arm with teardrop base. Mounts with thru bolt into cowl or door panel.*

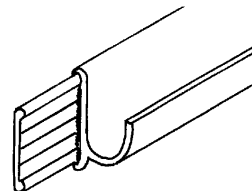
HR-18402/3-S	Curve neck mirrors	70.00 pr
--------------	--------------------	----------

### Closed Car Top Material, Vinyl

A-700666	Black long grain vinyl, 65"wide	15.00 ft
----------	---------------------------------	----------

### 1928-31 Tudor Sedan, 1928-29 Coupe Top Rain Gutters

*Two-piece, snap together aluminum extrusions. Install by bending to fit roof contour. Then fasten the inner (flat) piece to the roof and snapping the outer gutter onto it. Each strip set is approx 84"long, and includes 1 gutter & 1 retainer. Two strip sets required per car.*

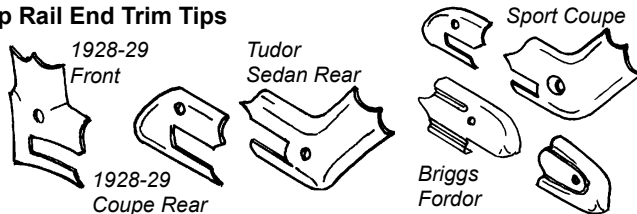


A-47301	Rain gutter strip set (inner & outer)	45.00 ea
---------	---------------------------------------	----------

### 1928-31 Pickup Top Rain Gutters, Stamped Steel

A-47301-PUA	1928-29 Pickup	50.00 pr
A-47301-PUB	1930-31 Pickup	60.00 pr

### Drip Rail End Trim Tips



A-47303-D	Front: 1928-29 Coupe & Tudor Sedan	7.50 pr
A-47303-E	Rear: 1928-29 Coupe	7.50 pr
A-47303-G	Rear: 1929-31 Tudor Sedans	7.50 pr
A-53550/51	Front: 1928-29 Sport Coupe	7.50 pr
A-52292/93	Rear: 1928-31 Sport Coupe	7.50 pr
A-47303-C	Front: 1928-29 Briggs Fordor	7.50 pr
A-47303-F	Rear: 1928-29 Briggs Fordor	7.50 pr

\* Parts with price listed as "not.avbl" are not known to be available at this time, but are listed for reference.

## 1926-31 Coupe, Sedan, Victoria, Cabriolet and Pickup Windshield and Top, cont

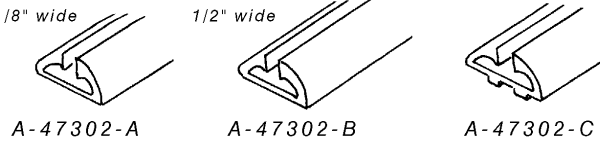
### 1930 Cloth Back Victoria Top Binding End Tips



A-47303-B 1.50 ea

### 1930-31 Top Retainer Moldings

Extruded aluminum. Form to fit. When installing use a "V" shaped block to fold molding to hide nails. File for finished shape.



### Front Top Molding, 60" length

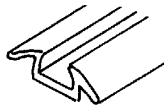
A-47302-A	1930-31 Coupe, Victoria, 1929-30 Fordor	22.50 ea
A-47302-B	1930-31 Tudor, Pickup, 1931 Fordor	22.50 ea
A-47301-4	1931 Victoria & Slant Windshield Fordor	22.50 ea

### Side & Rear Top Molding, 120" length

A-47302-C	1930-31 Coupe (1 required per car), 1930-31 Victoria & Fordor (2 required per car)	75.00 ea
-----------	---	----------

### Late 1931 Top Retainer Moldings and Seals

Extruded aluminum retainer moldings. Must be formed to fit. Coupes use 2 lengths, Sedans and Victorias use 3 lengths. A rubber seal bead is used to seal and hide the attaching nails.



B-705019	Retainer molding, 70" length	not.avbl
B-705020-S	Retainer seal bead, rubber	10.00 ea

### 1928-31 Sport Coupe Top Landau Arms

#### Landau arms, polished aluminum

A-52252/3 45.00 pr

#### Landau arms to quarter brackets

A-51713/14 1928-29 100.00 pr

A-51713/14-B 1930-31 65.00 pr

#### Landau arm stud set

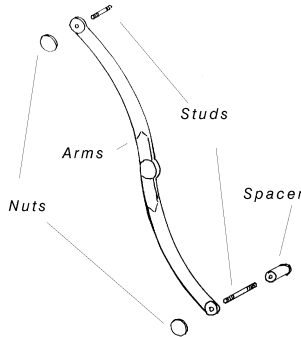
A-52270-S 12.50 set

#### Landau arms spacer set

A-52272/74-B 95.00 set

#### Landau nuts, stainless 1 1/2" dia

A-37708-LS 15.00 ea



### Back Window Frames

(glass not included)

#### 1928-31 Cabriolet

(16 5/8" x 7" od)

#### Stainless outer/tan inner

A-37639-PL not.avbl

#### Stainless outer/chrome inner

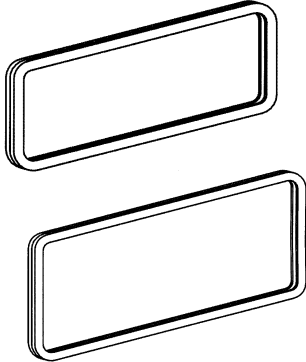
A-37639-SS not.avbl

#### 1928-31 Sport Coupe

(20 5/8" x 7" od)

#### Stainless outer/tan inner

A-50639-PL not.avbl



### 1929-30 Cabriolet (60-B) Top Irons and Bows

A-764800-BS	Top irons, all stainless	not.avbl
A-764855-BS	Top wood, includes header and bows	1250.00 ea

### 1931 Cabriolet (68-C Slant Windshield) Top Irons & Bows

A-764800-CS	Top irons, stainless, w/center bow	not.avbl
A-764855-CS	Top wood, includes header and bows	1250.00 ea

### Landau Arm

A-37708-LC Landau arm nut, chrome, 1 3/4" dia. 7/16-20 not.avbl

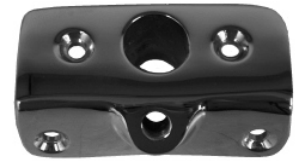
### 1928-31 Cabriolet Top Windlace Retainer

A-48167-A Quarter Pillar Windlace Retainer, 1929-30 135.00 pr

### Top Dowel Socket

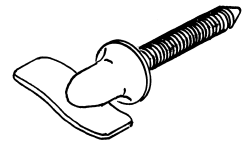
#### 1931 Cabriolet & A-400

Cast bronze, Chromed



A-761412-C 150.00 ea

### Cabriolet & A-400 Top Iron to Windshield Thumbscrew



B-37472 12.50 ea

### 1928-31 Cabriolet Top Windlace Retainer

A-48167-B Quarter Pillar Windlace Retainer, 1931 120.00 pr

\* Parts with price listed as "not.avbl" are not known to be available at this time, but are listed for reference.