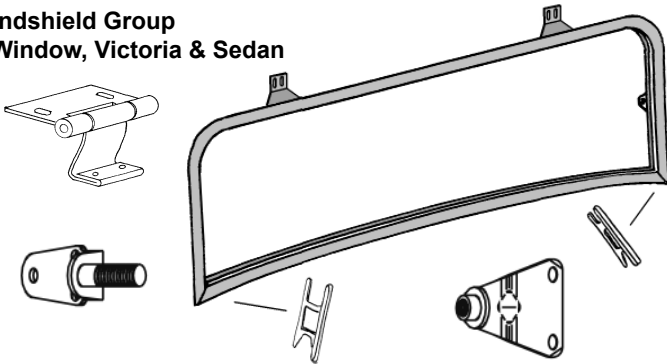


1932 Coupe, Victoria and Sedan Windshield and Top

Windshield Group 5-Window, Victoria & Sedan



Windshield Frame Kits

Excellent quality steel tubing frames, like original. Kits include hinge to frame brackets, swing arm mount brackets, corner seam beads and rubber gasket.

B-45410-AS	Plain	500.00 ea
B-45410-AC	Chrome	1100.00 ea

Windshield Hinges

B-45506	Hinges, Plain Steel	70.00 ea
B-45507	Hinge to frame brackets (included w/frame)	32.50 pr

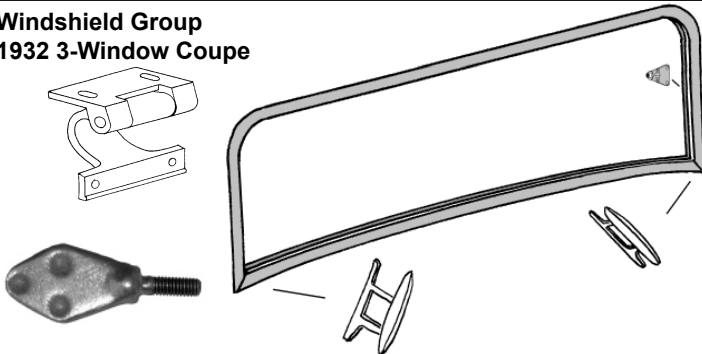
Windshield Swing Arm Brackets

B-45508	Swing Arm Bracket on frame (included w/frame)	17.50 pr
B-45439	Swing arm stud & Bracket on body	17.50 ea

Windshield Frame Parts

B-45504	Frame to Body rubber gasket	65.00 ea
B-701276-A	Frame seam beads, chrome	12.50 pr
B-45410-IS	Windshield frame screws, set of 8	5.00 set

Windshield Group 1932 3-Window Coupe



Windshield Frame

Windshield frame only. Brackets and seals are NOT included.

B-521410-S	Stock height, plain	500.00 ea
B-521410-C	Stock height, chrome plated	1100.00 ea
B-521410-S/2.5	Chopped 2", plain	500.00 ea
B-521410-C/2.5	Chopped 2", chromed	1100.00 ea

Windshield Swing Arm Brackets

B-521520-S	Swing arm brackets on frame, stainless	75.00 pr
B-521530	Swing arm studs on body, cast bronze bracket	75.00 ea

Windshield Hinges

B-521550-S	Cast bronze, 4 pc set w/pins	325.00 set
------------	------------------------------	------------

Windshield Frame Parts

B-521419	Frame to body rubber gasket	30.00 ea
B-701276-B	Frame seam beads (original frames)	12.50 pr
40-701276	Frame seam beads (repro frames)	12.50 pr
B-45410-IS	Windshield frame screws, set of 8	5.00 set

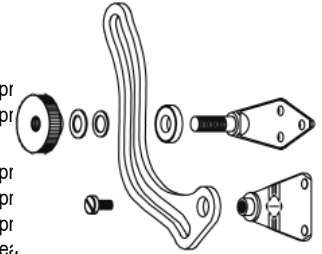
Windshield Swing Arms

Swing arms:

B-45463-S	Stock, chrome	22.50 pr
B-45463-CS	2" chop stainless	75.00 pr

Knobs, washers, and screws

A-45482-S	Knobs	20.00 pr
A-45477-S	Clamp washer	5.00 pr
A-45483	Spring washer	5.00 pr
B-45475-S	Arm mount screws	2.00 ea



Windshield Glass to Frame Setting Tape

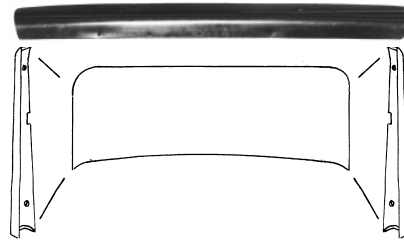
B-37193-A	All years, 20 ft, 1/32" thick	17.50 ea
B-37193-B	All years, 20 ft, 3/64" thick	17.50 ea
B-37193-C	All years, 20 ft, 1/16" thick	25.00 ea
B-37193-D	All years, 20 ft, 5/64" thick	30.00 ea

Traffic signal finder prism

A-18300	Any year	10.00 ea
---------	----------	----------

1932 Sedan & 5-Window Windshield

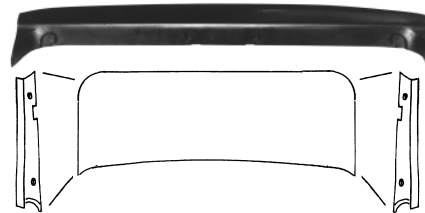
Side Garnish Moldings & Header Upholstery Former



WSH32W5S	Header upholstery former, fiberglass	175.00 ea
B-45662	Windshield Header cover, steel	175.00 ea
B-46106-5S	Side garnish moldings, steel, plain	60.00 pr
B-46106-5SS	Side garnish moldings, stainless	65.00 pr

1932 3-Window Coupe Windshield

Side Garnish Moldings and Header Upholstery Former



WSH32W3	Header upholstery former, fiberglass	175.00 ea
B-46106-3S	Side garnish moldings, steel, plain	55.00 pr
B-46106-3SS	Side garnish moldings, stainless	65.00 pr



* Parts with price listed as "not.avbl" are not known to be available at this time, but are listed for reference.

1932 Coupe Victoria & Sedan, cont

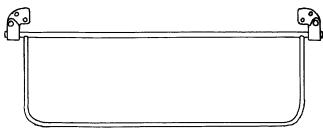
1932 Sun Visor

Frames and Brackets,

Chrome Plated

1932 3-Window Coupe

B-47380-3W 95.00 pr



Windshield Center Mirror

Bevel glass mirror w/brown bracket

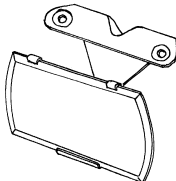
B-17682-B not.avbl

Bevel glass mirror w/stainless bracket

B-17682-C 50.00 ea

Accessory glass w/stainless trim

B-17681-SG 50.00 ea



1932 Five-Window & Sedan

Door Hinge Mirrors

Mirror w/Chrome Plated Arm

Fits RH or LH.

B-17741 50.00 ea

Replacement Mirror Head

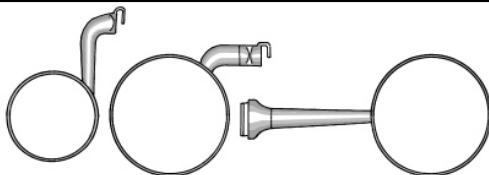
B-17741-MH Head with flat glass 22.50 ea

B-17741-MHC Head with convex glass 20.00 ea



Peep Mirrors,

*Chrome Plated arms
clamps to edge
of door.*



78-18414-PR 3" dia, angled arm, RH 27.50 ea

78-18414-PL 3" dia, angled arm, LH 27.50 ea

B-18414-R 4" dia, angled arm, RH 27.50 ea

B-18414-L 4" dia, angled arm, LH 27.50 ea

A-17741-U 4" dia, straight arm, RH or LH 27.50 ea

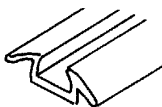
Swan Neck Mirror

4"chrome head, 6"curved aluminum arm with teardrop base. Mounts with thru bolt into cowl or door panel.

HR-18402/3-S Curve neck mirrors 70.00 pr

Top Retainer Moldings and Seals

Extruded aluminum retainer moldings. Must be formed to fit. Coupes use 2 lengths, Sedans and Victorias use 3 lengths. A rubber seal bead is used to seal and hide the attaching nails.



B-705019 Retainer molding, 70"length not.avbl

B-705020-S Retainer seal bead, rubber 10.00 ea

* Parts with price listed as "not.avbl" are not known to be available at this time, but are listed for reference.