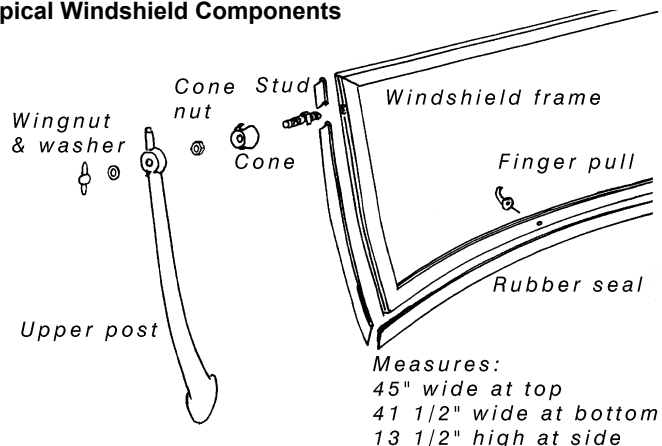


## 1933-34 Roadster and Phaeton Windshield and Top

### Typical Windshield Components



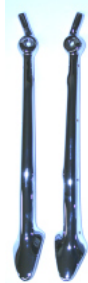
### Windshield Frame

Windshield frame only, features step design similar to original, front face of frame is slightly larger than inner face. Rubber seal, cones, studs and cone nuts are NOT included. Available with stock holes drilled for wiper shaft and finger pulls or undrilled. Available plain or chrome plated.

	Stock Height		Chopped 2"	
Chrome, stock holes	40-37110	1100.00 ea	40-37110-C2	1100.00 ea
Chrome, no holes	40-37110-N	1100.00 ea	40-37110-CN2	1100.00 ea
Plain, stock holes	40-37110-P	600.00 ea	40-37110-P2	600.00 ea
Plain, no holes	40-37110-NP	600.00 ea	40-37110-PN2	600.00 ea

### Windshield Posts

Excellent quality. (We made our own tooling) cast gear bronze posts. Drilled for mounting. Optionally available drilled for windwings or windwings and top side curtain stud holes.



	Stock Height:		Chopped 2"	
Chrome, ww + side	40-711210-SA	1250.00 pr	40-711210-S2A	1250.00 pr
Plain, ww + side	40-711210-BSA	850.00 pr	40-711210-BCA	850.00 pr
Chrome, ww no side	40-711210-SB	1250.00 pr	40-711210-S2B	1250.00 pr
Plain, ww no side	40-711210-BSB	850.00 pr	40-711210-BCB	850.00 pr
Chrome, no ww no side	40-711210-SC	1250.00 pr	40-711210-S2C	1250.00 pr
Plain, no ww no side	40-711210-BS	850.00 pr	40-711210-BCS	850.00 pr

### Windshield Post to Body Pads

40-37132-S	Windshield post to body pads, rubber	15.00 pr
------------	--------------------------------------	----------

### Windshield Hardware

A-351000	Wingnut, chrome plated (2 required)	10.00 ea
A-351001-SW	Wingnut washer, stainless (2 required)	2.50 ea
18-37118-S	Finger pulls, chrome	15.00 pr
40-37154-NC	Cone, fits step design steel repro frames, stainless	1100.00 ea
40-37158-S	Stud (3/8-24 x 5/16-24) & cone nut set	12.50 ea
A-37199-BS	Rubber seal, Fits reproduction steel frame	17.50 ea

### DuVal Style Windshield Frames

Cast silicon bronze windshield frame is assembled and ready to mount to cowl. Mounting hardware is included. Duval style frames are unplated.



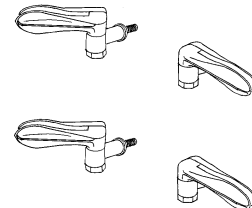
40-37110-DUV	1933-34 Roadster & Phaeton	3000.00 ea
--------------	----------------------------	------------

### Windshield Glass to Frame Setting Tape

B-37193-A	All years, 20 ft, 1/32" thick	17.50 ea
B-37193-B	All years, 20 ft, 3/64" thick	17.50 ea
B-37193-C	All years, 20 ft, 1/16" thick	25.00 ea
B-37193-D	All years, 20 ft, 5/64" thick	30.00 ea

### Windwing Bracket Sets

Windwings act as side air deflectors on Roadster and Phaeton windshields. They mount to the back side of windshield posts.



Chrome Plated, set of 4:

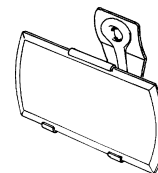
A-18200-B	150.00 set
-----------	------------

### Swan Neck Mirror

4" chrome head, 6" curved aluminum arm with teardrop base. Mounts with thru bolt into cowl or door panel.

HR-18402/3-S	Curve neck mirrors	70.00 pr
--------------	--------------------	----------

### Windshield Center Mirrors



### Beveled mirror w/chrome bracket

40-17681	50.00 ea
----------	----------

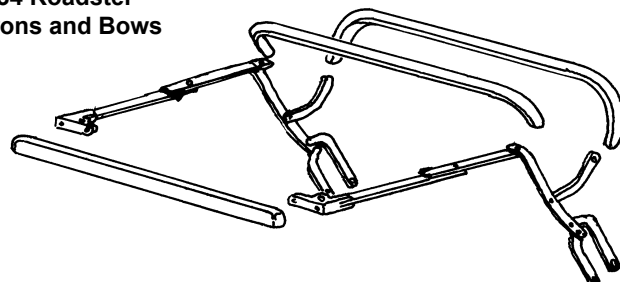
### Accessory glass w/stainless trim

B-17681-SG	50.00 ea
------------	----------

### Roadster & Phaeton Windwing Mirrors

B-17700-WWSS	Any Year, Chromed, clamps to windwing	not.avbl
--------------	---------------------------------------	----------

### 1933-34 Roadster Top Irons and Bows



40-42030-S	Top irons, stainless	not.avbl
40-42030-S2	Top irons, chop 2", stainless	1375.00 set
40-42055-1	Top wood header	225.00 ea
40-42055-2	Top wood middle bow	500.00 ea
40-42055-3	500.00 ea	
40-42055-MS	Top wood to top iron screw & bolt set	15.00 ea
40-42030-MB	Top iron to body shoulder bolts	35.00 set

### 1933-34 Phaeton Top Irons and Bows

40-38700-S	Top irons, stock height, stainless	not.avbl
40-38700-S2	Top irons, chop 2", stainless	not.avbl
40-42055-1	Top wood header	225.00 ea
40-37455-2	Top wood second bow	450.00 ea
40-37455-3	Top wood third bow	450.00 ea
40-37455-4	Top wood rear bow	600.00 ea

### Top Iron Thumbscrew

Chrome Plated. Clamps top irons to windshield posts.



B-37472	12.50 ea
---------	----------

\* Parts with price listed as "not.avbl" are not known to be available at this time, but are listed for reference.

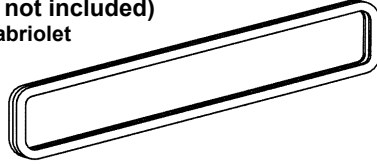
**1933-34 Roadster and Phaeton  
Windshield and Top, cont**

**Side Curtain Parts**

A-180620	Side curtain socket in door, chrome plated	17.50 ea
A-81002	Snap sockets, 1928-37 (in body)	10.00 ea
A-37103	Studs, 1928-36 (for windshield), set	45.00 set

**Back Window Frames (glass not included)  
1933-34 Roadster, Phaeton, & Cabriolet**

(24"x 4 7/8"od)



40-37639-PL	Stainless outer/tan inner	325.00 ea
40-37639-SS	Stainless outer/chrome inner	375.00 ea
<b>Aluminum Mailslot (20"x 4 1/2"od)</b>		
H-37639-C	Polished Aluminum	not.avbl

\* Parts with price listed as "not.avbl" are not known to be available at this time, but are listed for reference.